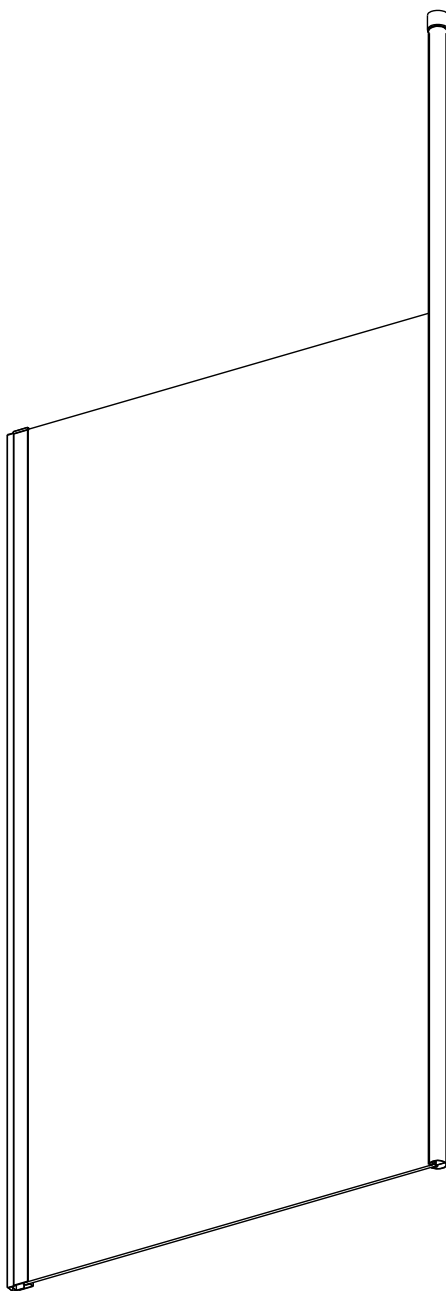


# MERLYN™

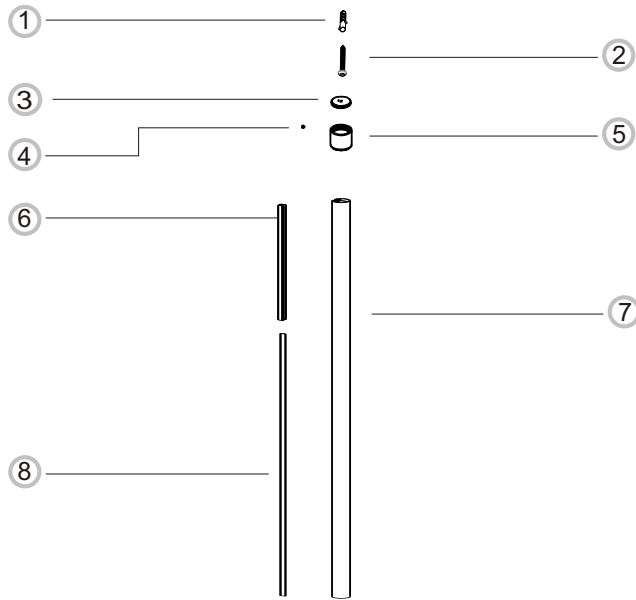
Wetroom Collection

## CEILING POST INSTALLATION GUIDE

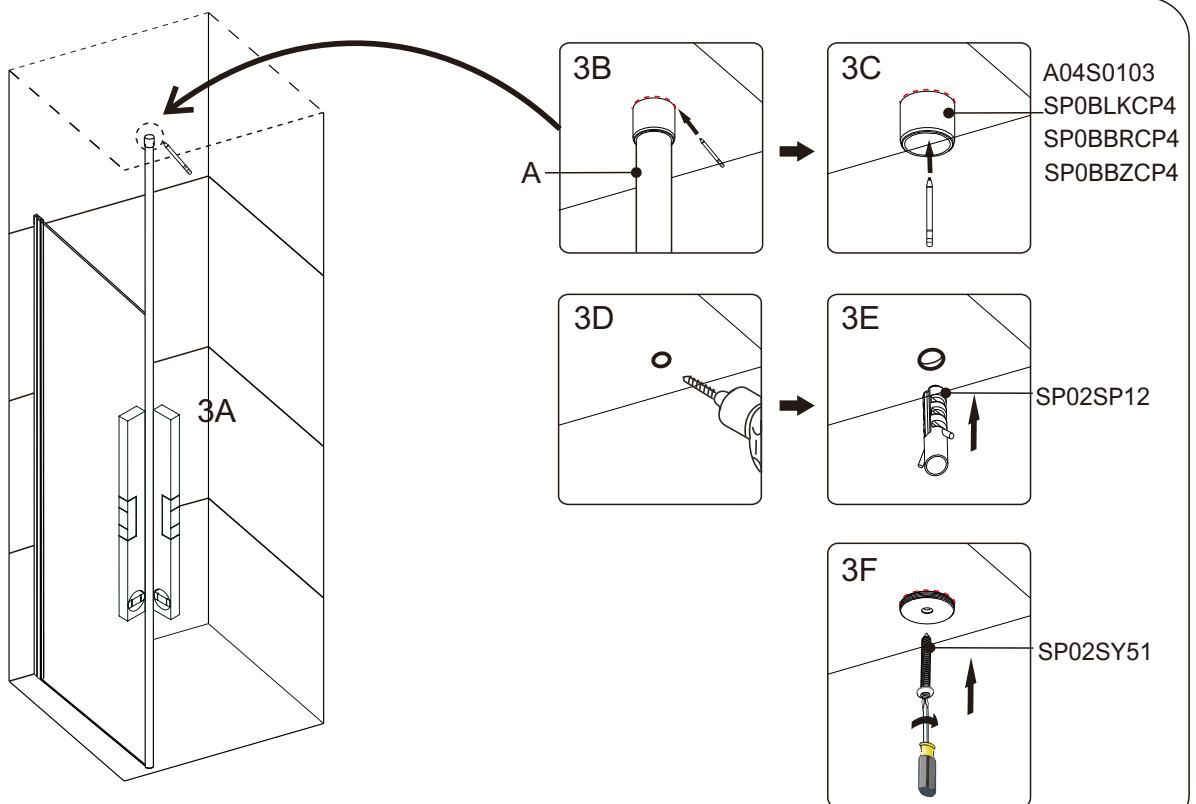
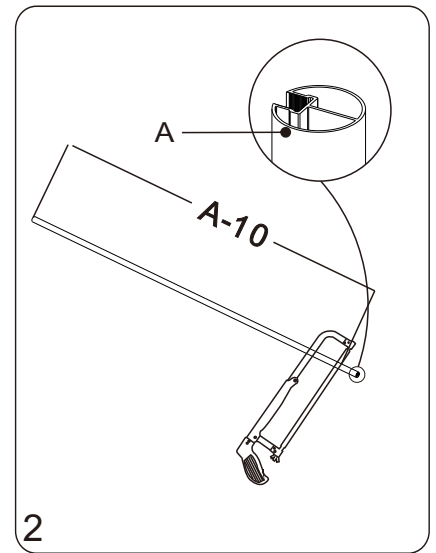
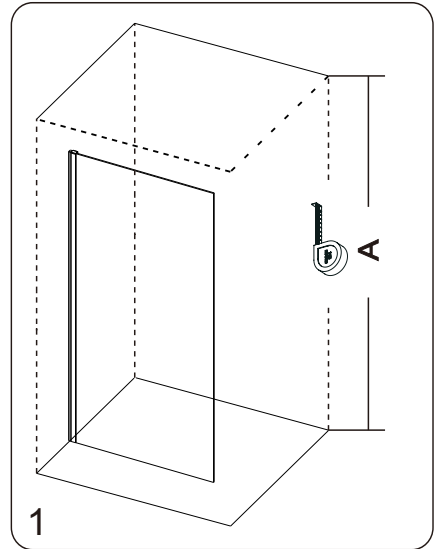


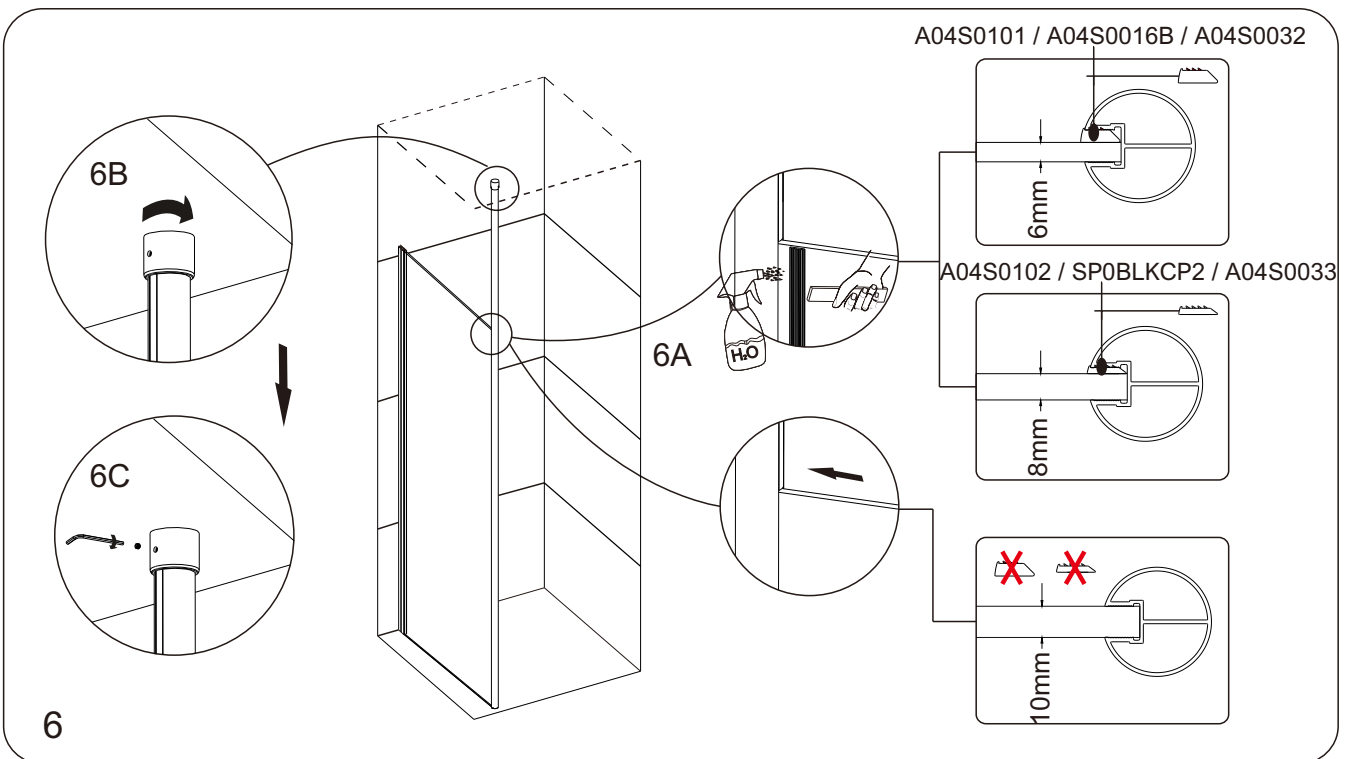
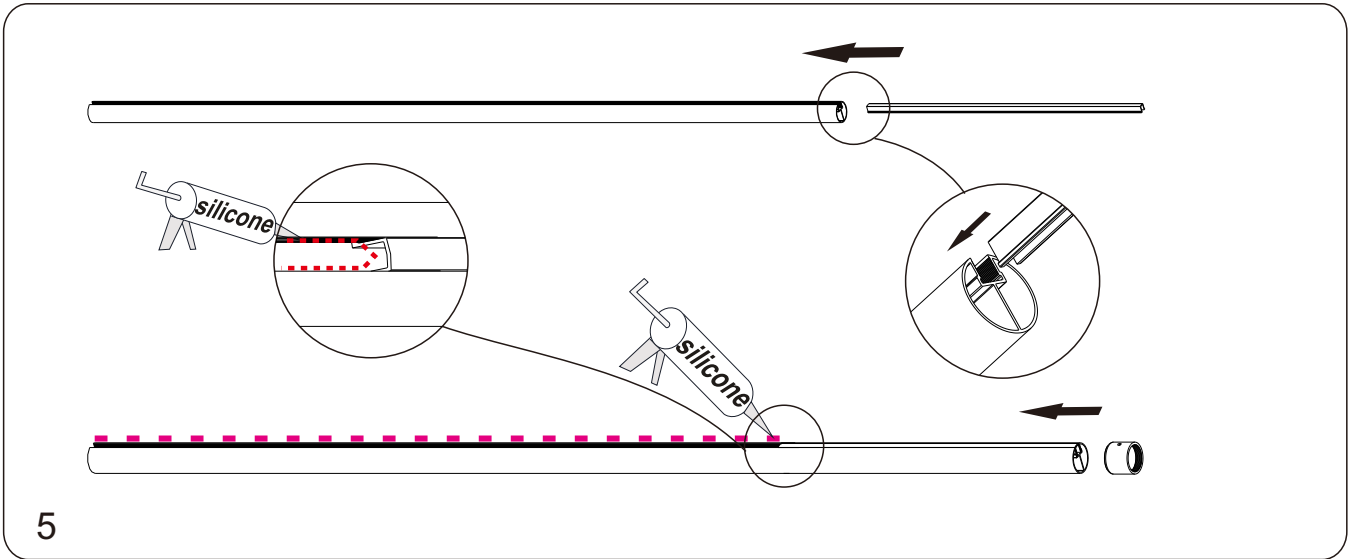
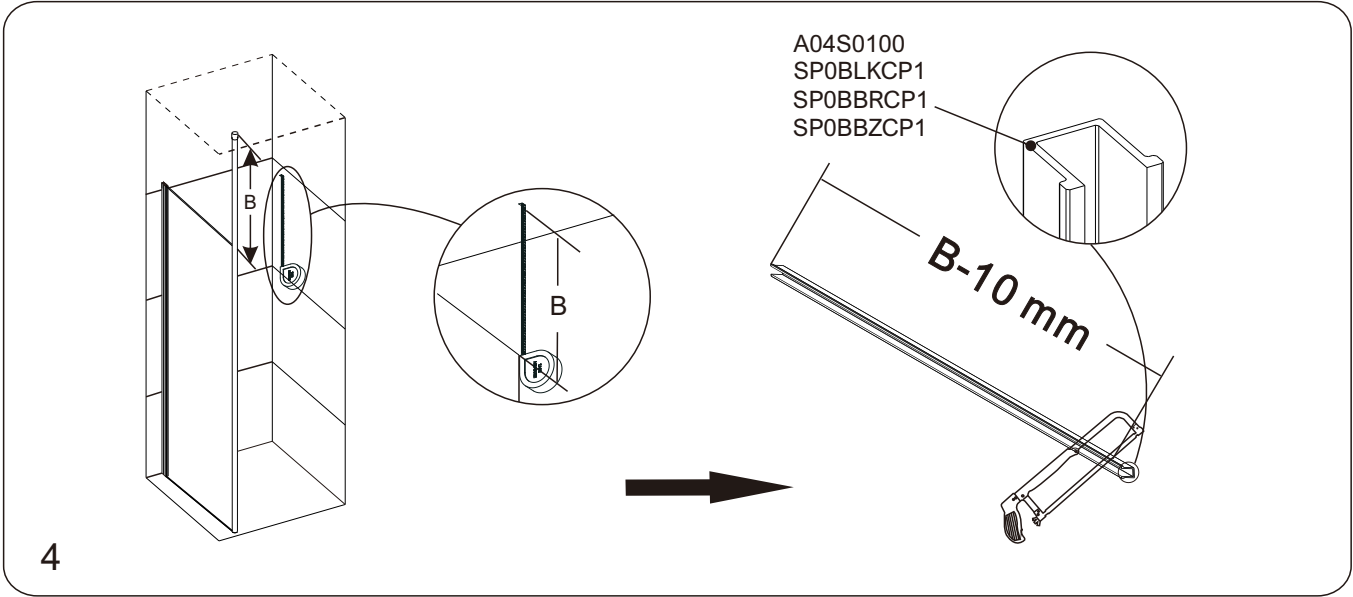
If you install the product in a way that differs from this manual this will void all guarantees. Before installation check that the product meets all your requirements and is not damaged. By proceeding with installation, you accept the condition of the product. The wall plugs supplied with the installation kit are for use in solid walls. Hollow or 'stud partition' walls will require alternative fixings. Please consult your local hardware supplier for the correct type.

# Ceiling Post



No.	Qty	PART DESCRIPTION	CHROME	MATT BLACK	BRUSHED BRASS	BRUSHED BRONZE
1	1	WALL PLUG	SP02SP12	SP02SP12	SP02SP12	SP02SP12
2	1	FRAME FIXING ROUND SCREW	SP02SY51	SP02SY51	SP02SY51	SP02SY51
3,4,5	1	CEILING BRACKET PARTS	A04S0103	SP0BLKCP4	SP0BBRCP4	SP0BBZCP4
6	1	COVER STRIP	A04S0100	SP0BLKCP1	SP0BBRCP1	SP0BBZCP1
7	1	ROUND 3M POST	A	A	A	A
8	1	WEDGE GASKETS	A04S0016/ A04S0102	A04S0016B/ SP0BLKCP2	A04S0032/ A04S0033	A04S0032/ A04S0033





### Sealing

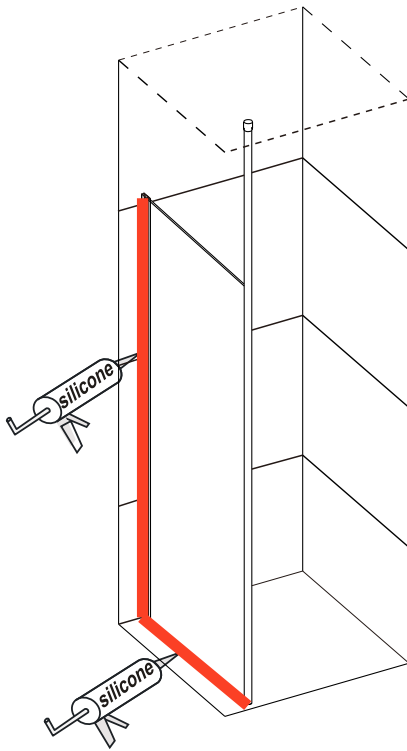
Before sealing make sure all surfaces are clean, dry and free from any residue such as grout. Use quality silicone sealant and applicator gun to finish the wetroom panels.

Seal top to bottom on the **OUTSIDE** between the wall and the wall profile.

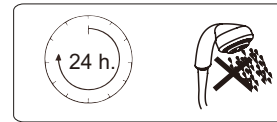
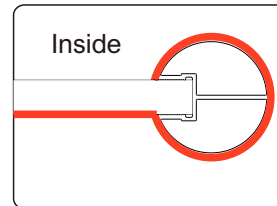
Seal along the bottom on the **OUTSIDE** between the glass/rail/profile and the tray or floor.

Seal all round the base of the ceiling post.

Seal approx 50mm up between the glass and the wall profile.



**DO NOT USE FOR 24 HOURS!**



To download the Declaration of Performance (DOP) for this product please use the link below.  
<https://merlynshowering.com/aftersales-support/dop-certs/>  
For further information please contact IRL: 056 7791 555, UK: 08081011429