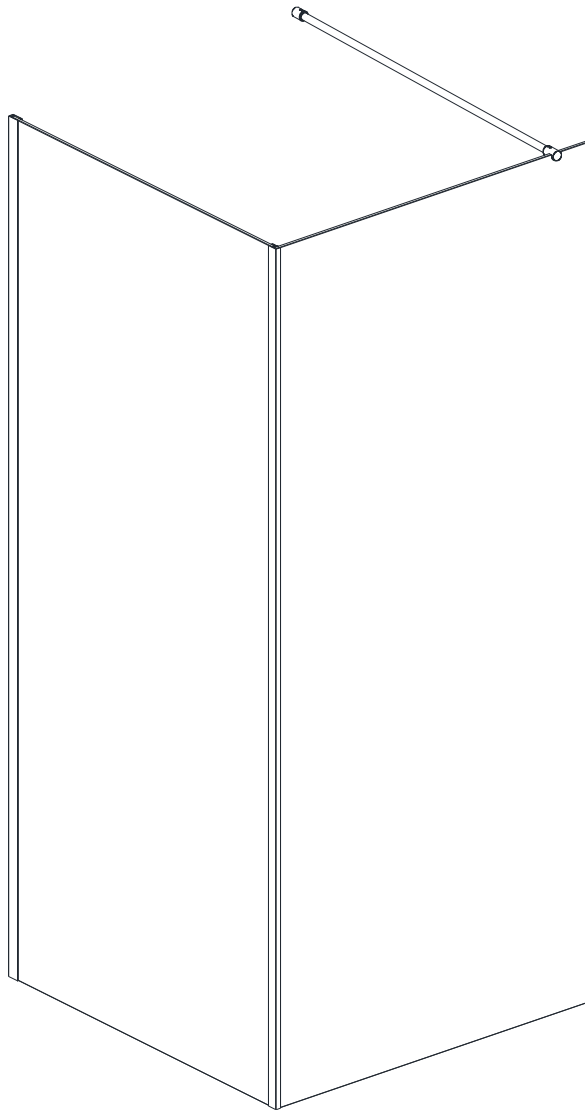


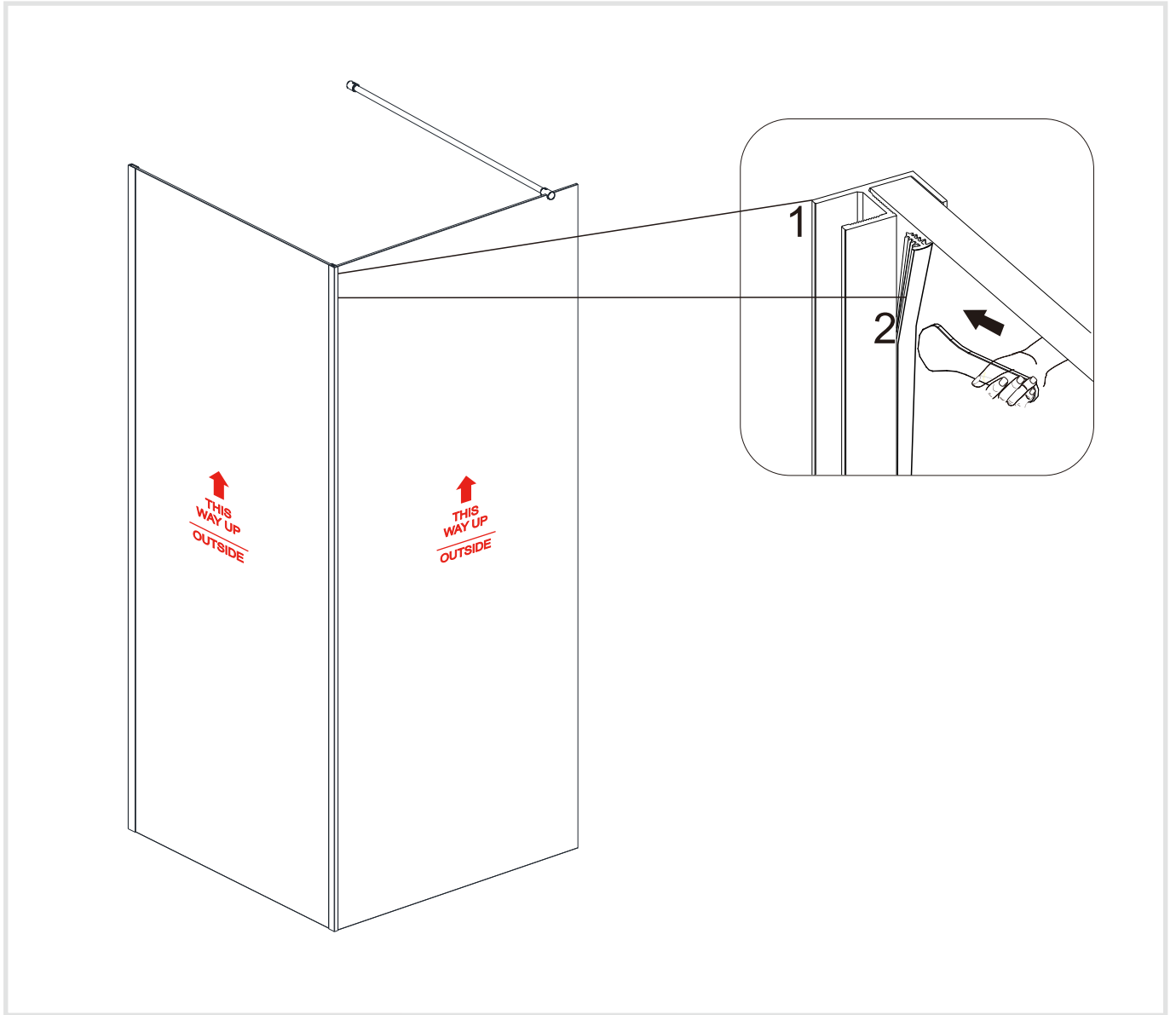
MERLYN™

Wetroom Collection

CORNER POST INSTALLATION GUIDE

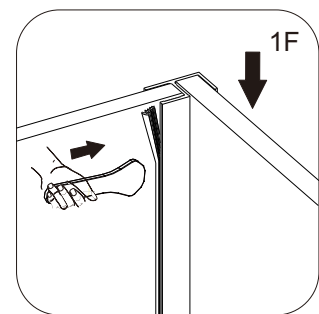
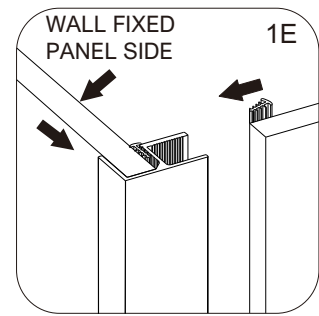
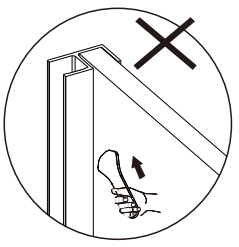
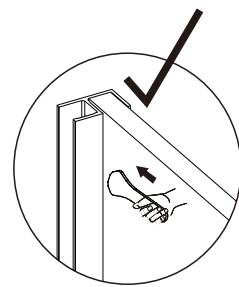
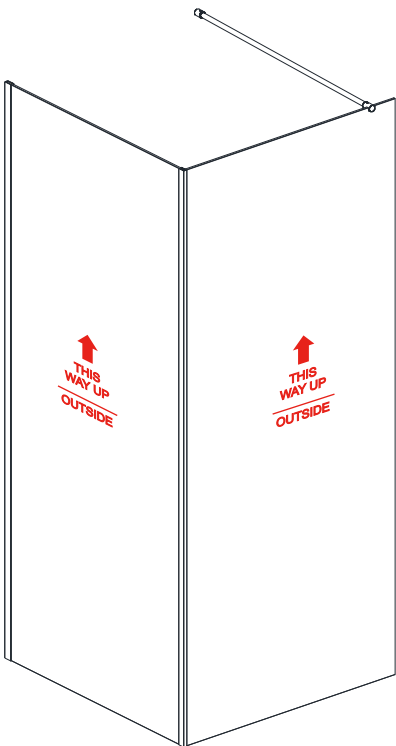
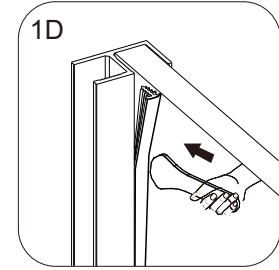
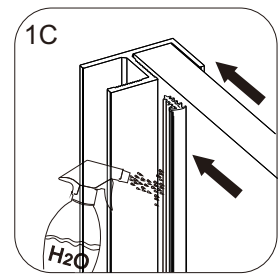
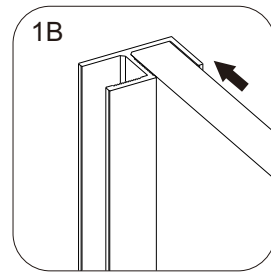
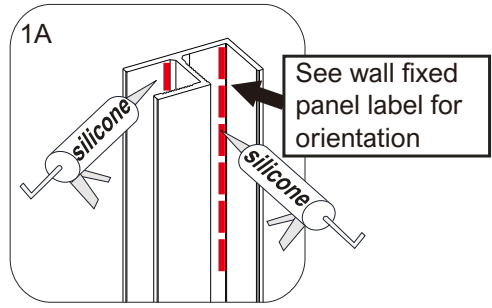
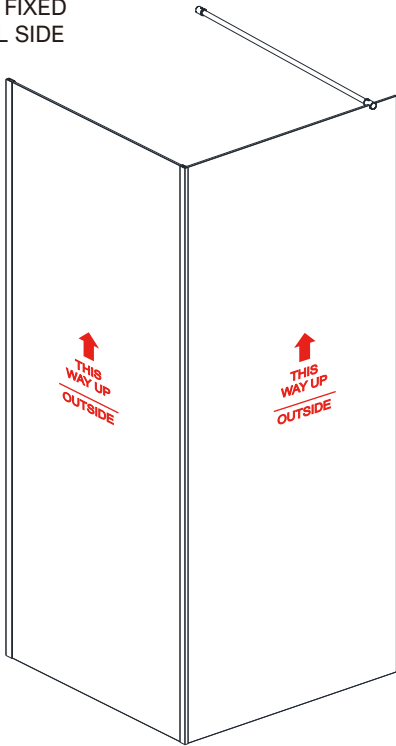


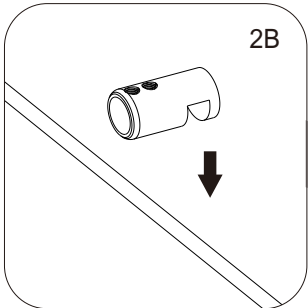
If you install the product in a way that differs from this manual this will void all guarantees. Before installation check that the product meets all your requirements and is not damaged. By proceeding with installation, you accept the condition of the product. The wall plugs supplied with the installation kit are for use in solid walls. Hollow or 'stud partition' walls will require alternative fixings. Please consult your local hardware supplier for the correct type.



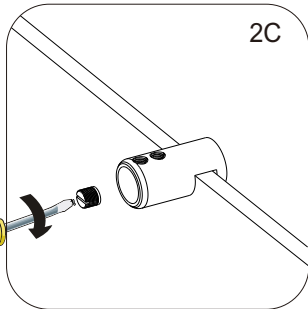
No.	Qty	PART DESCRIPTION	CHROME	MATT BLACK	BRUSHED BRASS	BRUSHED BRONZE
1	1	CORNER POST PROFILE	8WCR	8WCRMB	8WCRBBR	8WCRBBZ
2	2	WEDGE GASKET	A04S0016	A04S0016B	A04S0032	A04S0032

WALL FIXED
PANEL SIDE

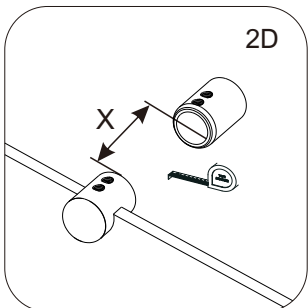




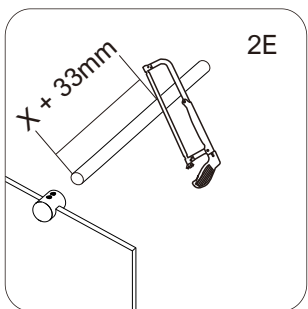
2B



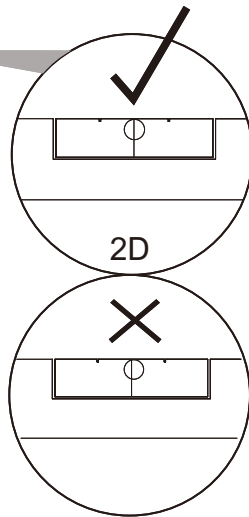
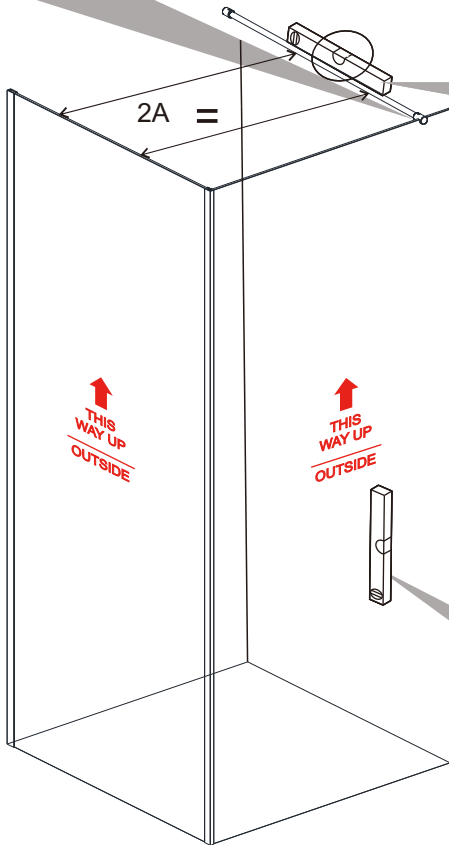
2C



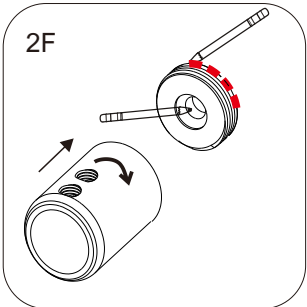
2D



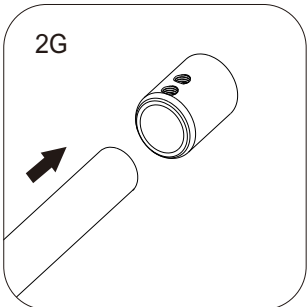
2E



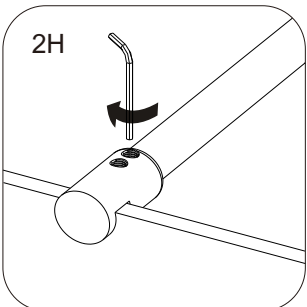
Note: make sure the glass is plumb



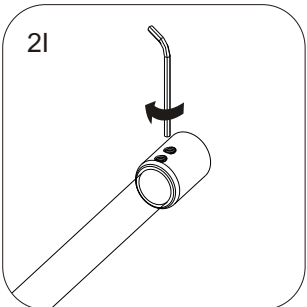
2F



2G



2H



2I