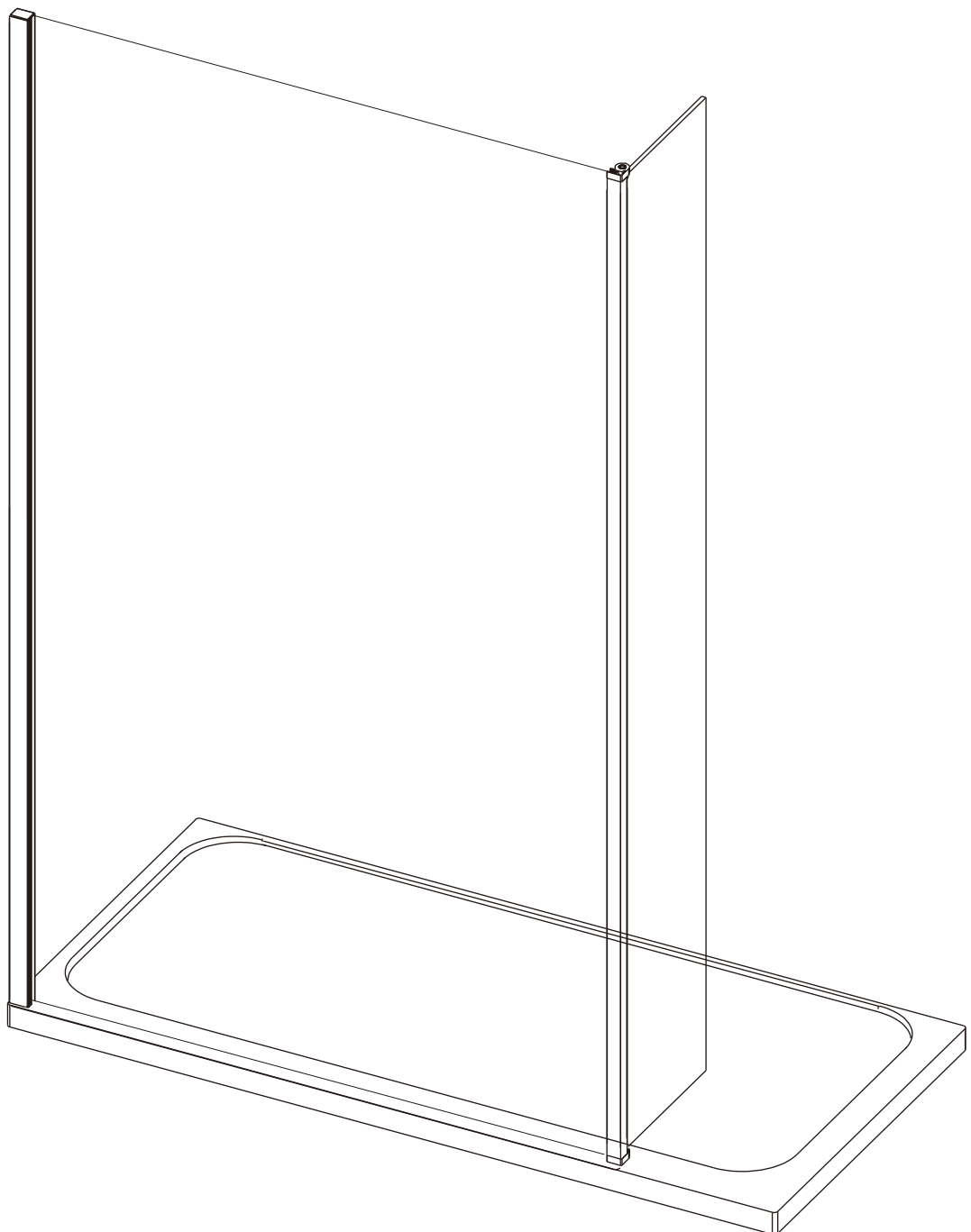


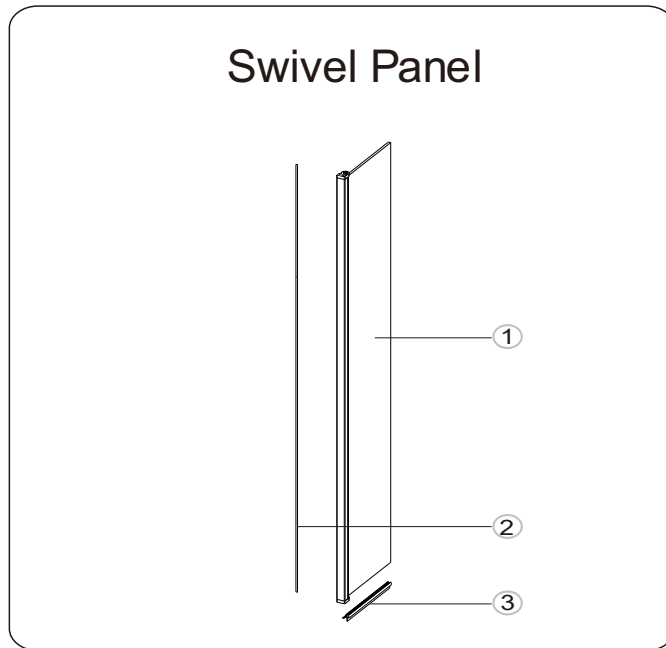
# MERLYN™

Wetroom Collection

## 8MM WETROOM SWIVEL PANEL INSTALLATION GUIDE



If you install the product in a way that differs from this manual this will void all guarantees. Before installation check that the product meets all your requirements and is not damaged. By proceeding with installation, you accept the condition of the product.



| No. | Qty | PART DESCRIPTION          | CHROME   | MATT BLACK | BRUSHED BRASS | BRUSHED BRONZE |
|-----|-----|---------------------------|----------|------------|---------------|----------------|
| 1   | 1   | GLASS PANEL               | A        | A          | A             | A              |
| 2   | 1   | SWIVEL PANEL WEDGE GASKET | A04S0013 | A04S0013B  | A04S0031      | A04S0031       |
| 3   | 1   | BOTTOM SEAL               | A04S0018 | A04S0015B  | A04S0015      | A04S0015       |

Left hand

Right hand

Step 1 – Remove swivel panel from packaging. Install the swivel panel in required orientation. Product is reversible and no brackets need to be removed to change handing.

**NOTE:** Ensure swivel panel swings inward across the tray area (as shown above). If swivel panel swings outward panel is installed in the incorrect handing.

