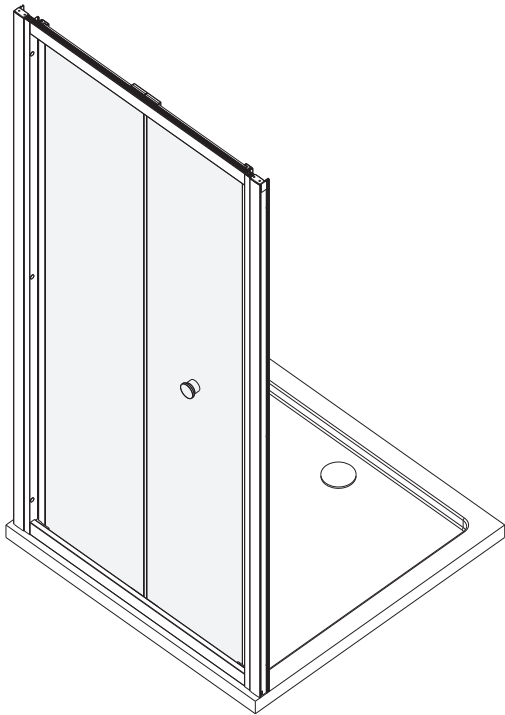
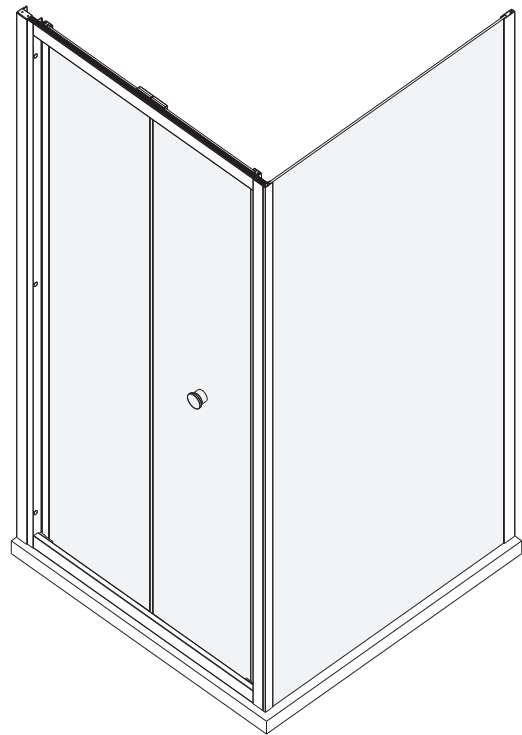


BIFOLD DOOR INSTALLATION GUIDE

Bifold door in recess
Pages 1~7



Bifold door with Side Panel
Pages 8~15



Installation video

PATENT PENDING

IMPORTANT:Please read the complete instructions before commencing fitting.

Make sure the tray is 100% level in all directions.

Check that you have the tools required.

Check the installation site is compatible with the size of door supplied.

Check all the enclosure components are present.

Check the installation kit is complete.

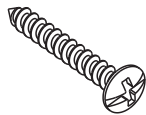
Do Not attempt to install the product unless you can tick all 4 boxes.

The wall plugs supplied with the installation kit are for use in solid walls. Hollow or 'stud partition' walls will require alternative fixings. Please consult a hardware supplier for the correct type. It may also be necessary to consult your tiling supplier about the correct method for drilling your tiles.

ATTENTION:TAKE EXTREME CARE WHEN HANDLING GLASS, WEAR PROTECTIVE EYEWEAR AND CLOTHING. DO NOT LEAVE THE GLASS ON HARD SURFACES AND AVOID CONTACT BETWEEN THE GLASS EDGES AND HARD SURFACES OR IMPACTS DURING THE INSTALLATION.

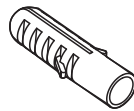
Fixing kit components

Wall screw 4x30



2SY51 ×6

Wall plug



2SP12 ×6

Wall screw cover cap



2SS008 ×6

Wall screw cover clip



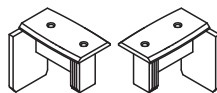
2SS009 ×6

Handle



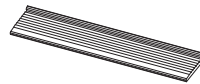
SP0C063 ×1

Locking cap



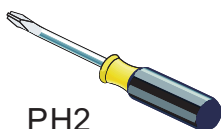
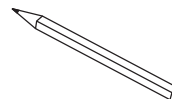
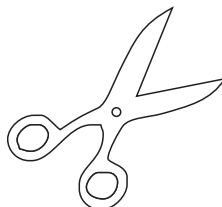
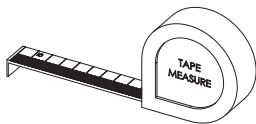
K019/K040

Wedge seal

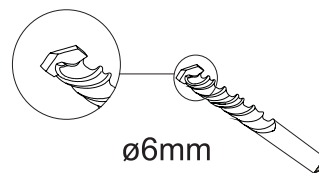
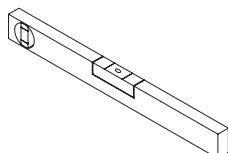


K142 ×2

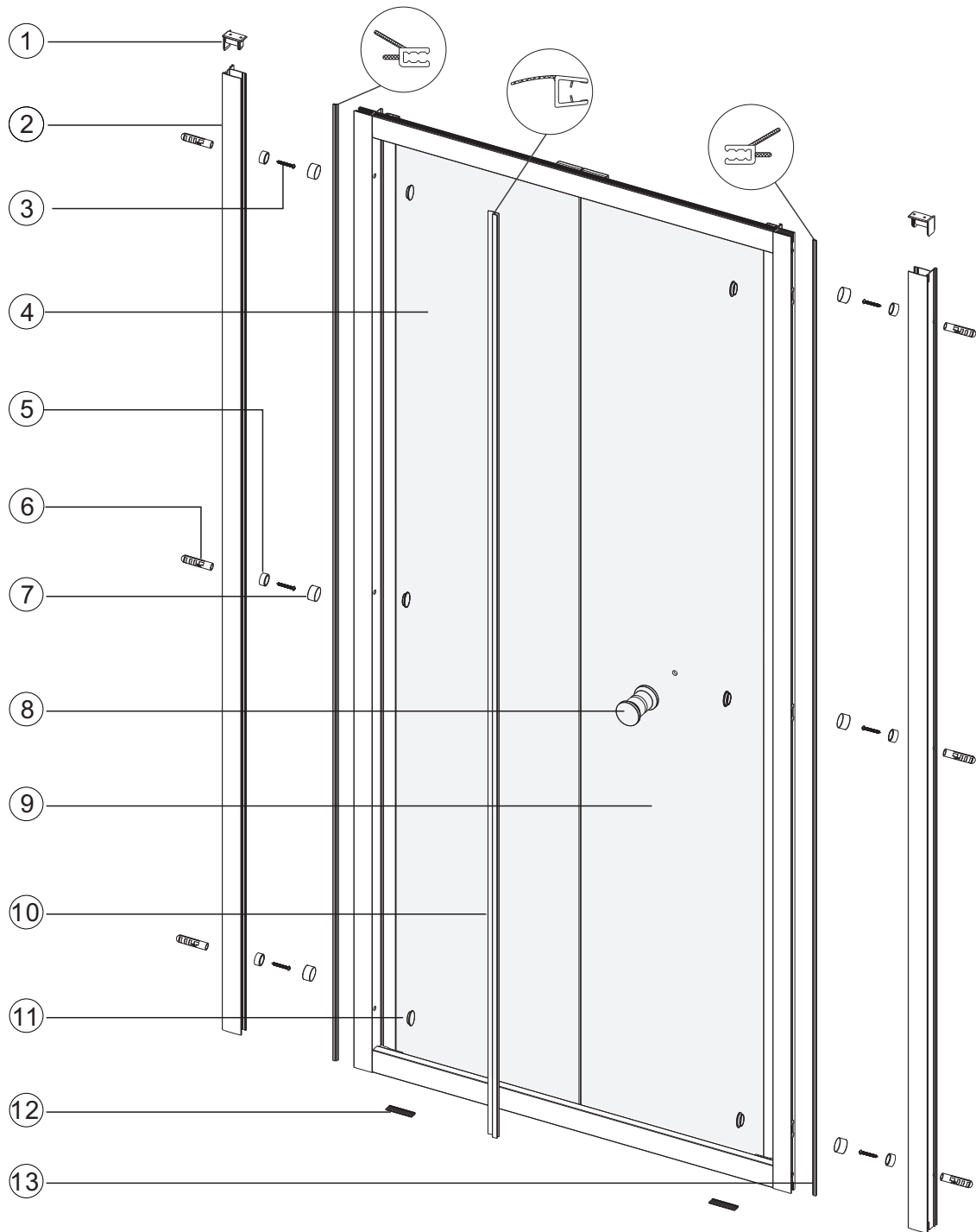
Tools required



PH2



ø6mm

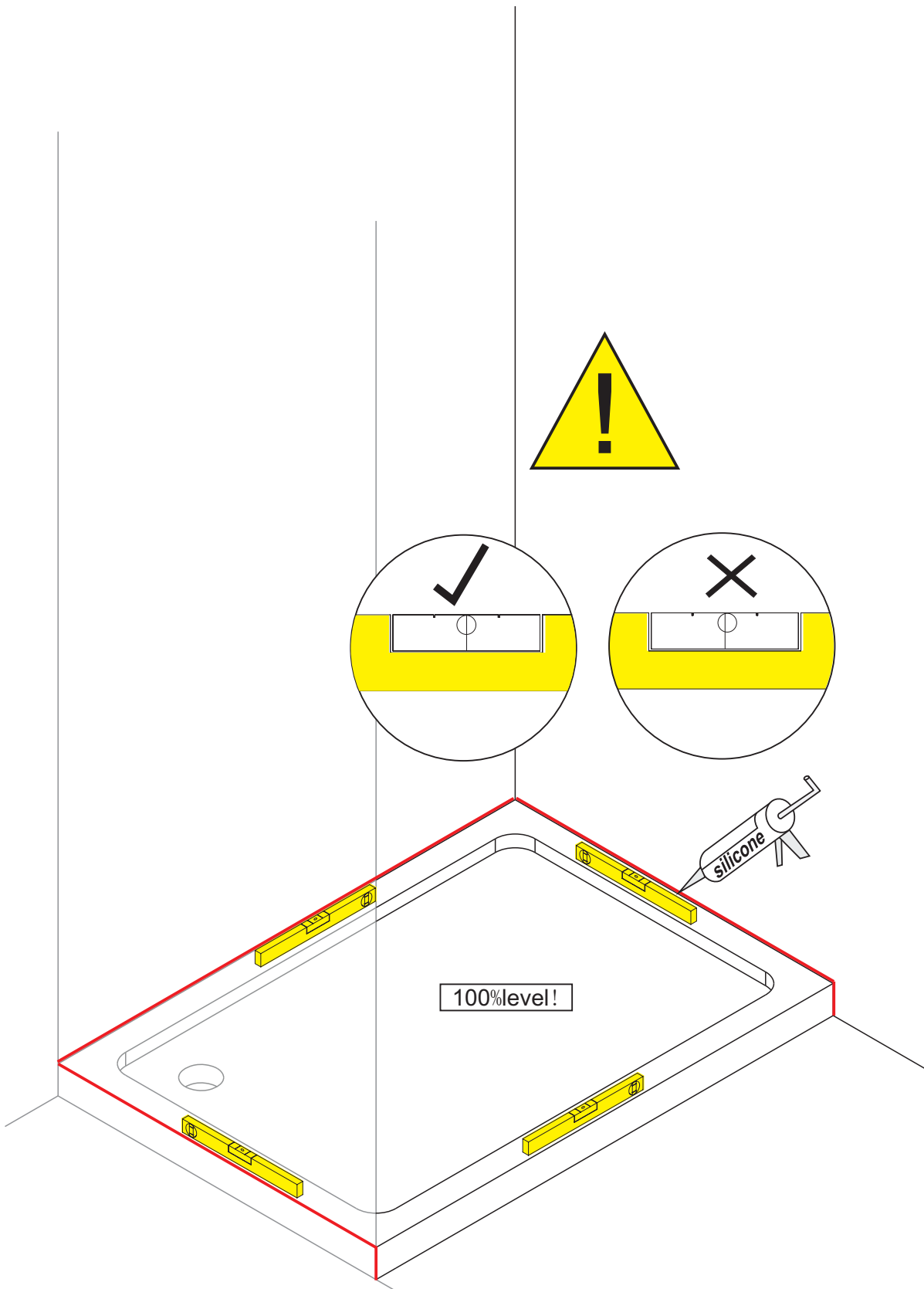


| No. | Qty | Part No. |
|-----|-----|-----------|
| 1 | 2 | K019/K040 |
| 2 | 2 | K094 |
| 3 | 6 | 2SY51 |
| 4 | 1 | A |
| 5 | 6 | 2SS009 |
| 6 | 6 | 2SP12 |

| No. | Qty | Part No. |
|-----|-----|----------|
| 7 | 6 | 2SS008 |
| 8 | 1 | SP0C063 |
| 9 | 1 | B |
| 10 | 1 | K221 |
| 11 | 6 | K155 |
| 12 | 2 | K142 |
| 13 | 2 | K223 |

1

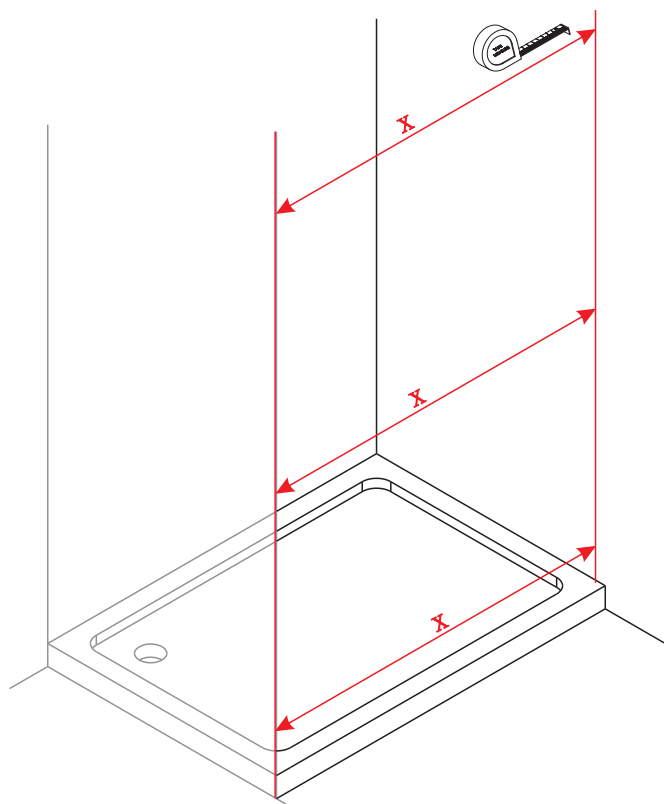
Please ensure your tray is 100% level in all directions before fitting your enclosure.



2

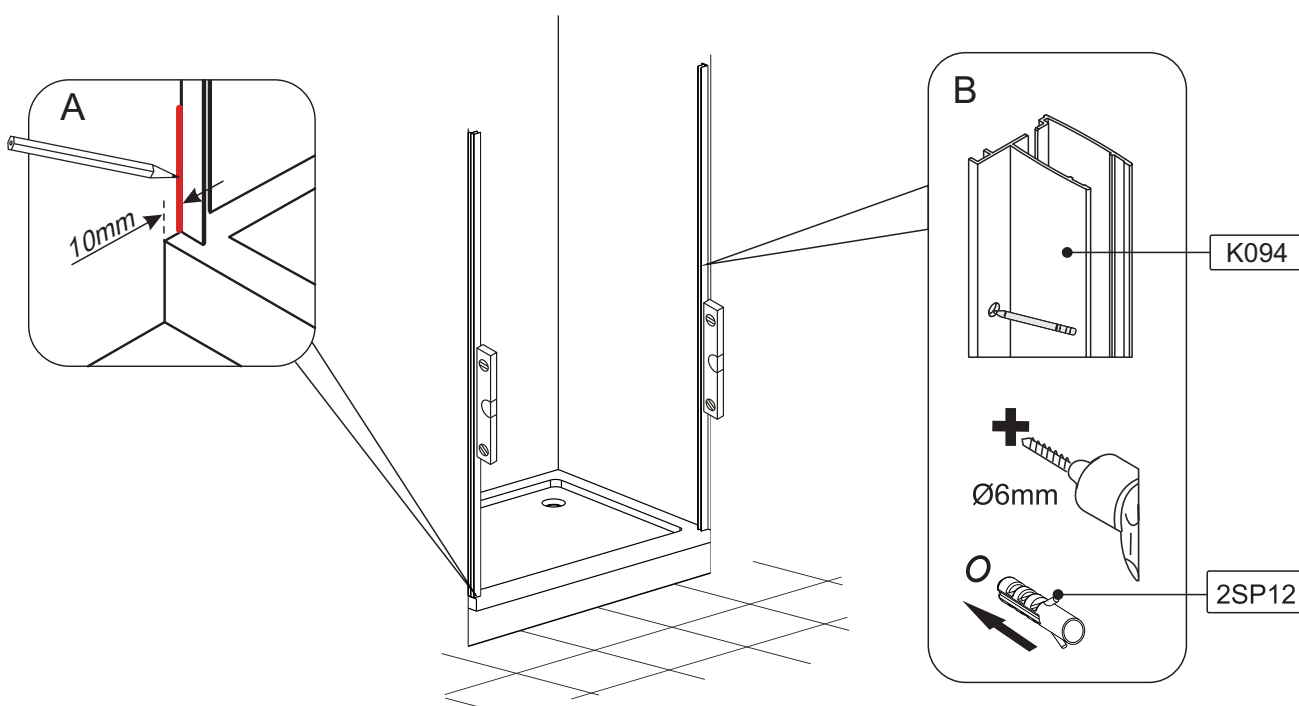
Measure X to make sure it is within the adjustment range

| size | X |
|------|---------|
| 700 | 650-690 |
| 760 | 710-750 |
| 800 | 750-790 |
| 900 | 850-890 |



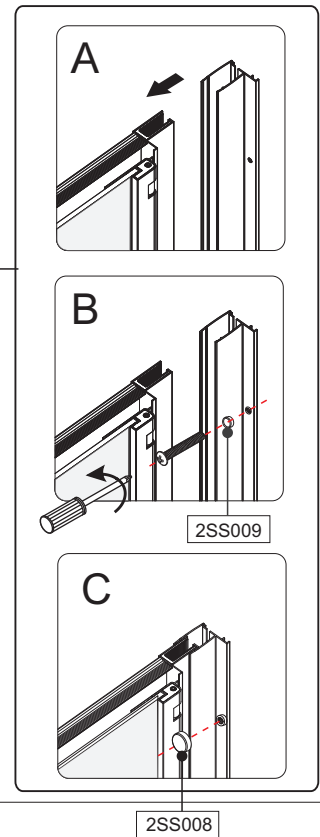
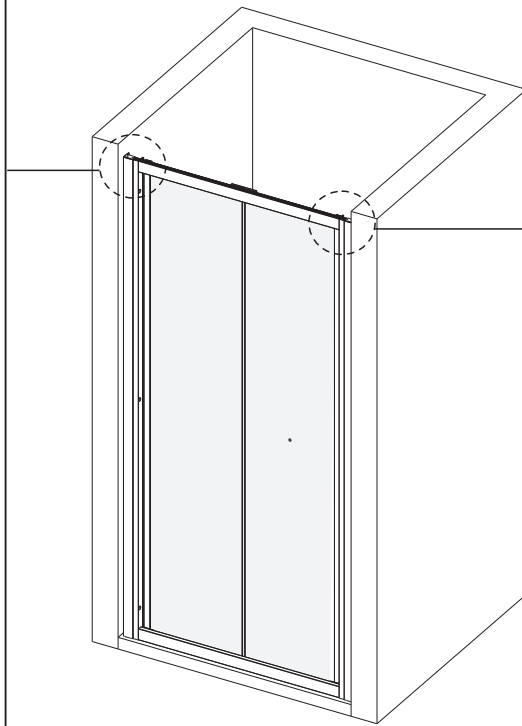
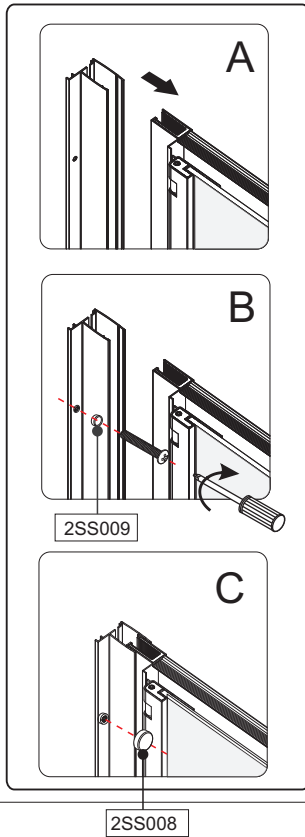
3

Determine your step in from the edge of the tray. 10mm is recommended. Plumb your wall profiles on each side then mark and drill your fixing positions.



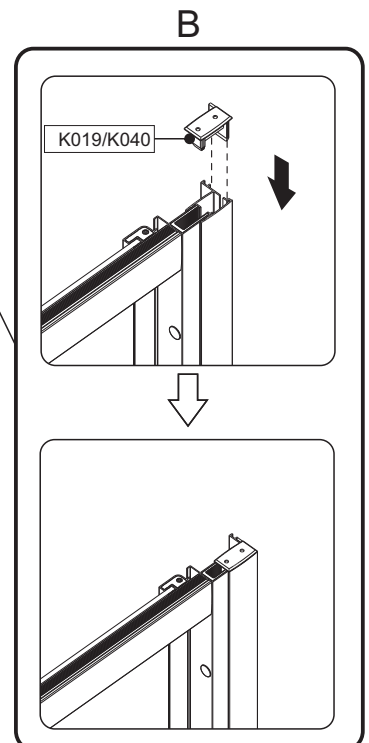
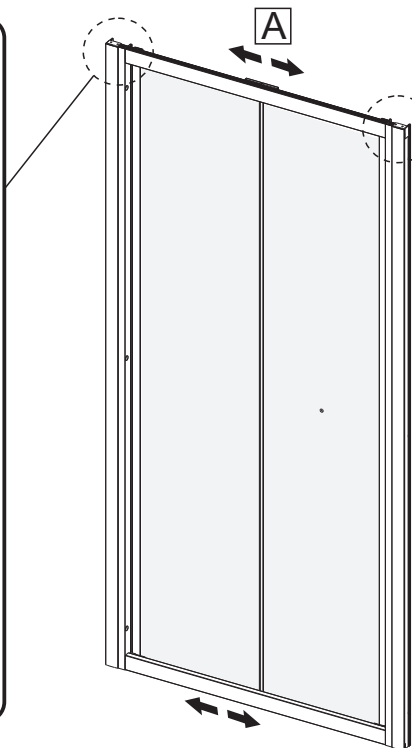
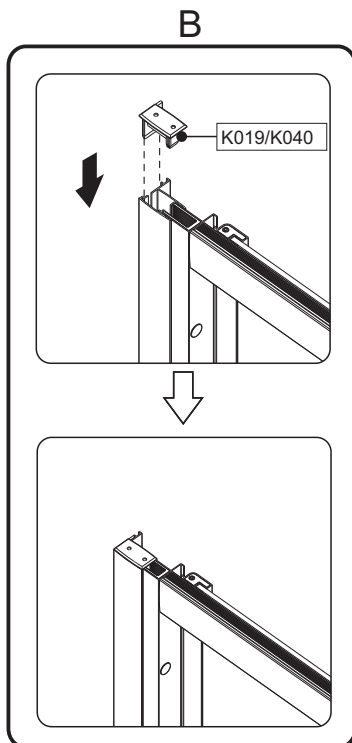
4

- A. Fit the wall profile onto the frame and lift the frame onto the tray.
- B. Fix the frame to the wall using 4 x 30 screws and the cover cap clips.
- C. Finally fit the caps over the clips.

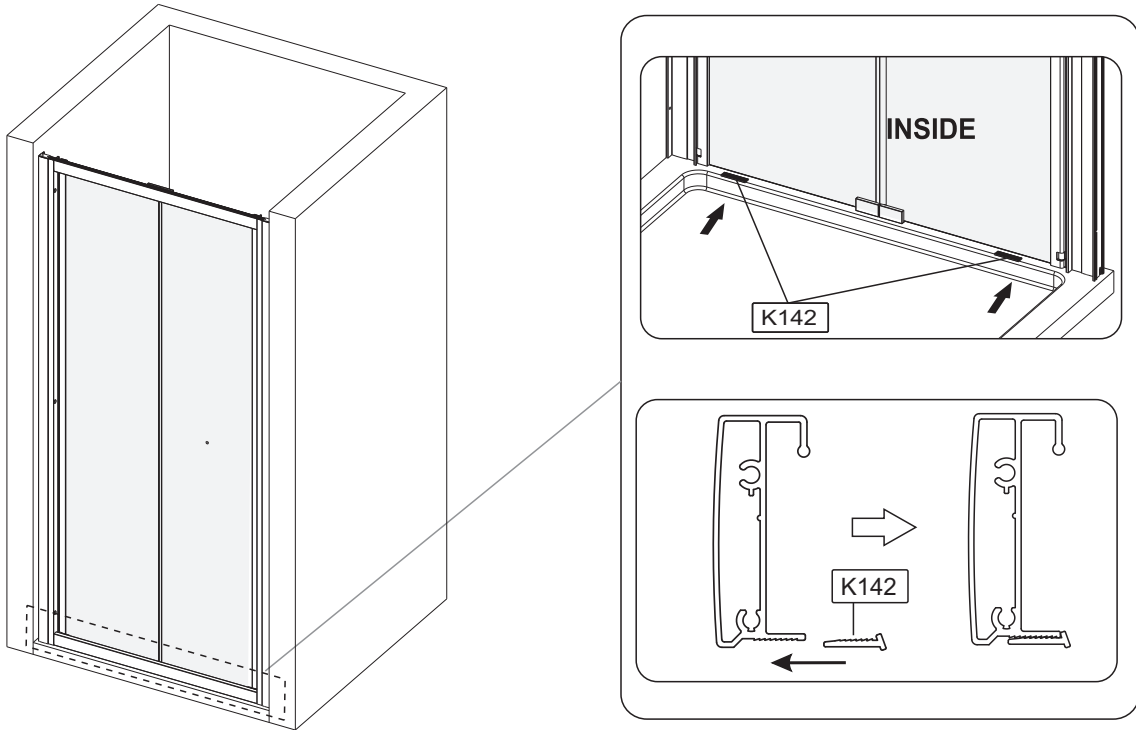


5

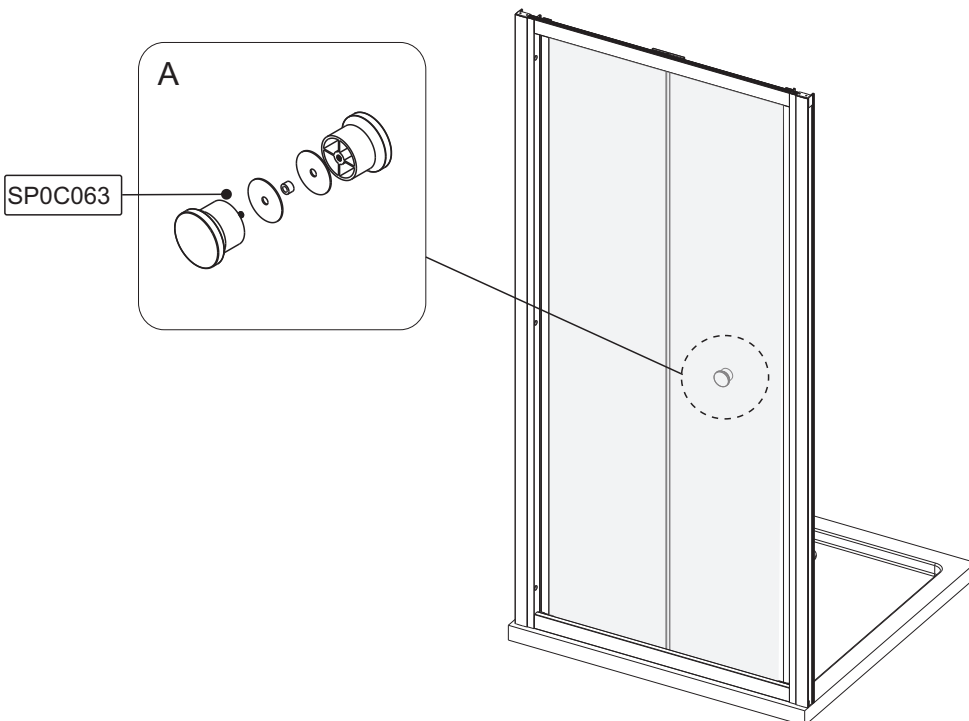
- A. Adjust the frame side to side until the gap between the top of the door panel is parallel with the frame.
- B. Slide the locking cap into position.



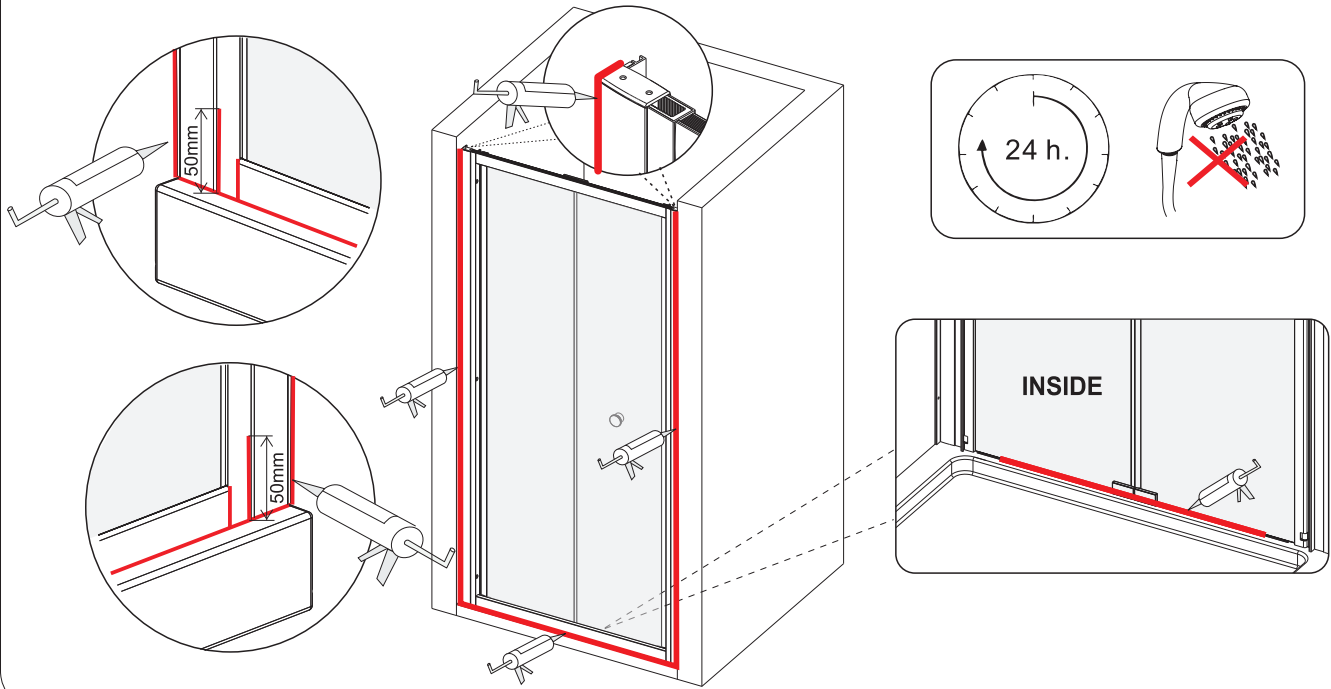
6 Push the wedge seals between the bottom profile and the tray to hold the frame in position.



7



- 8 Before sealing make sure all surfaces are clean, dry and free from any residue such as grout.
Use a quality silicone sealant and applicator gun to finish the door.
Seal between the wall and the wall profile.
Seal between the wall profile and the frame 50mm from the tray.
Seal across the top of the locking cap between the cap and the wall.
Seal between the bottom profile and the tray/tile fully across the outside and between the wedge seals on the inside.
DO NOT USE THE ENCLOSURE FOR 24 HOURS



IMPORTANT:Please read the complete instructions before commencing fitting.

Make sure the tray is 100% level in all directions.

Check that you have the tools required.

Check the installation site is compatible with the size of door supplied.

Check all the enclosure components are present.

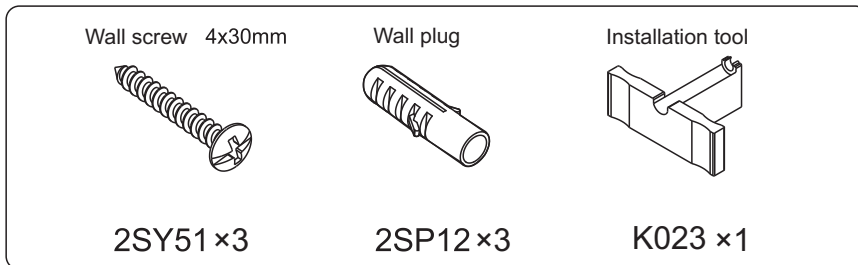
Check the installation kit is complete.

Do Not attempt to install the product unless you can tick all 4 boxes.

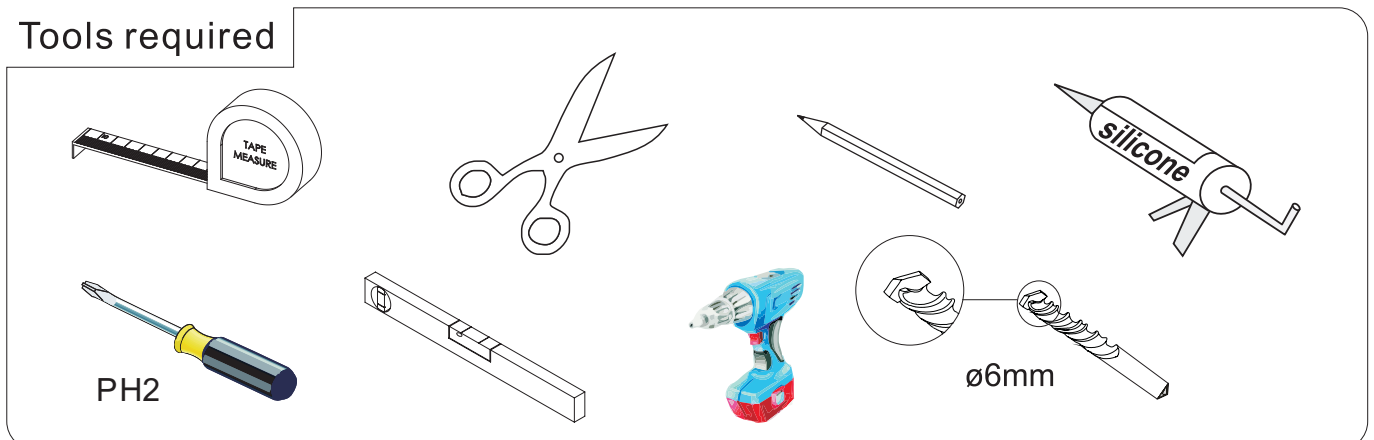
The wall plugs supplied with the installation kit are for use in solid walls. Hollow or 'stud partition' walls will require alternative fixings. Please consult a hardware supplier for the correct type. It may also be necessary to consult your tiling supplier about the correct method for drilling your tiles.

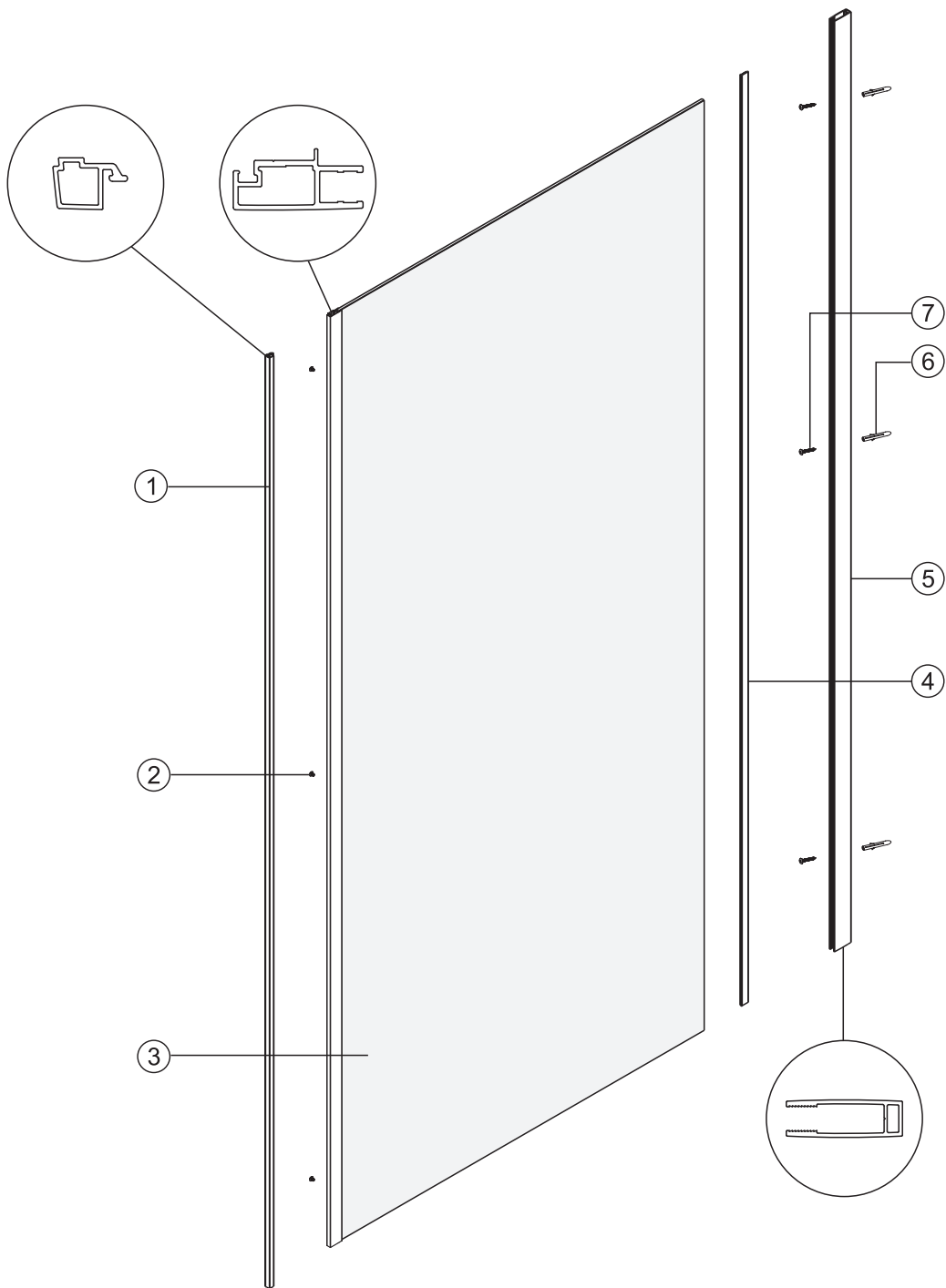
ATTENTION: TAKE EXTREME CARE WHEN HANDLING GLASS, WEAR PROTECTIVE EYEWEAR AND CLOTHING. DO NOT LEAVE THE GLASS ON HARD SURFACES AND AVOID CONTACT BETWEEN THE GLASS EDGES AND HARD SURFACES OR IMPACTS DURING THE INSTALLATION.

Fixing kit components



Tools required

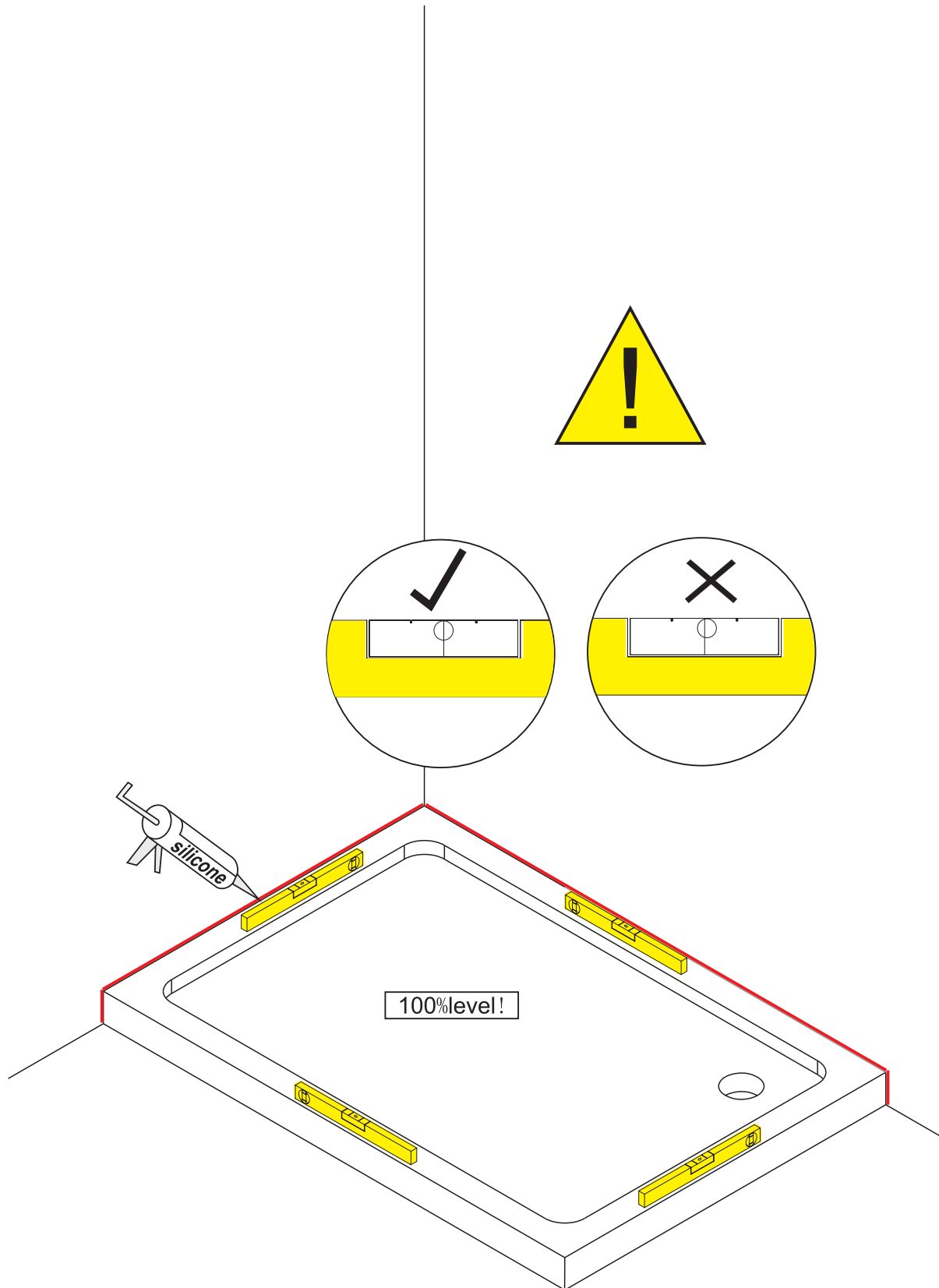




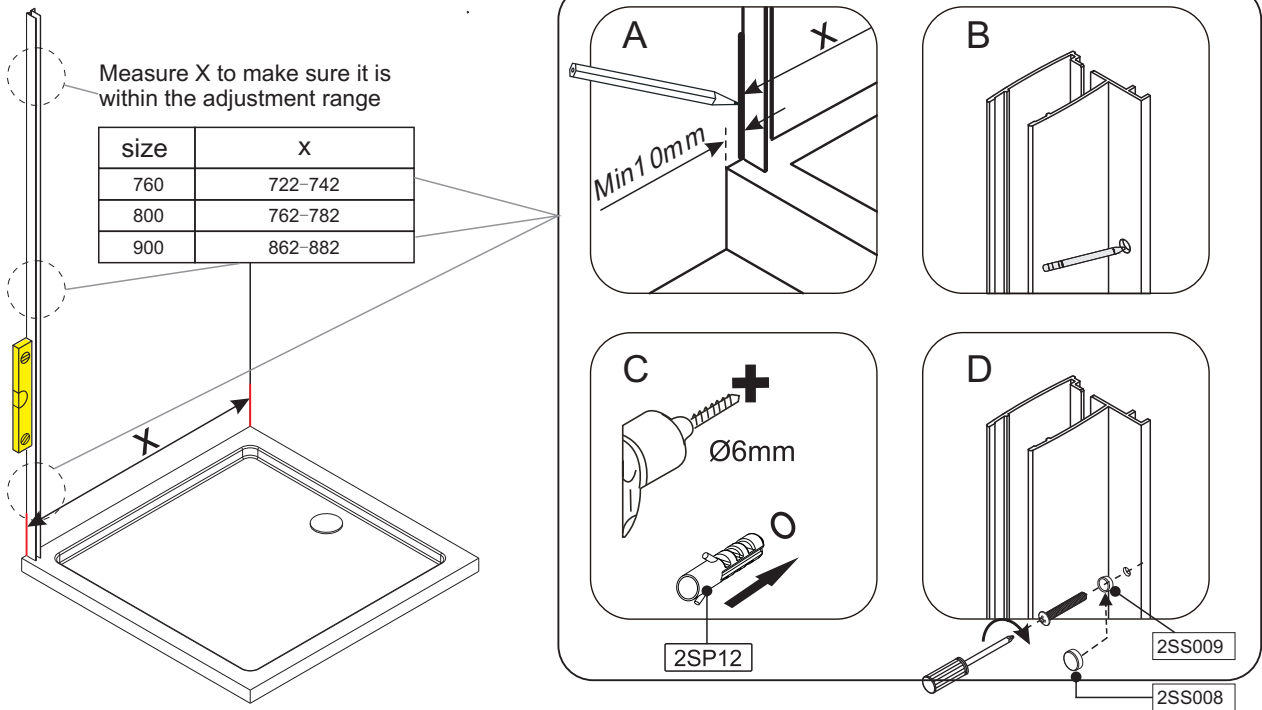
| No. | Qty | Code |
|-----|-----|-------|
| 1 | 1 | K076 |
| 2 | 3 | K183 |
| 3 | 1 | A |
| 4 | 1 | K165 |
| 5 | 1 | K074 |
| 6 | 3 | 2SP12 |
| 7 | 3 | 2SY51 |

1

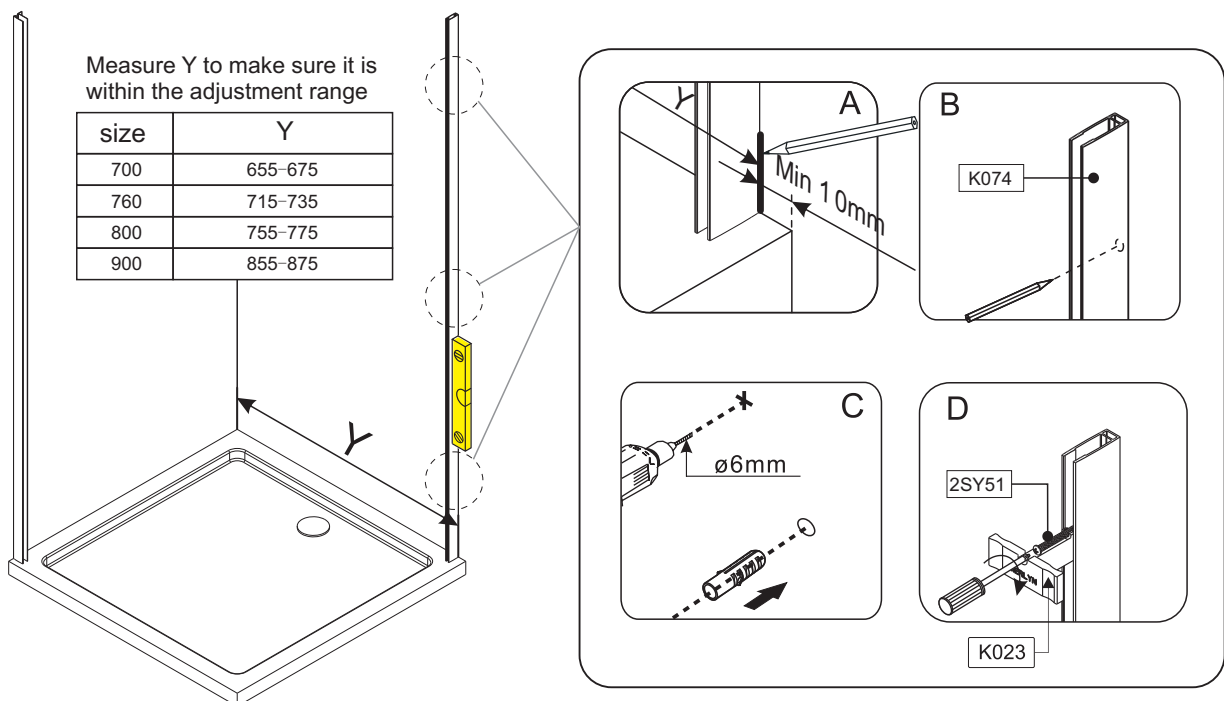
Please ensure your tray is 100% level in all directions before fitting your enclosure.



2 A. Mark a line to set the outside position of the wall profile. 10mm from the edge of the tray is recommended and must be within the adjustment X of the door size shown in the table below.

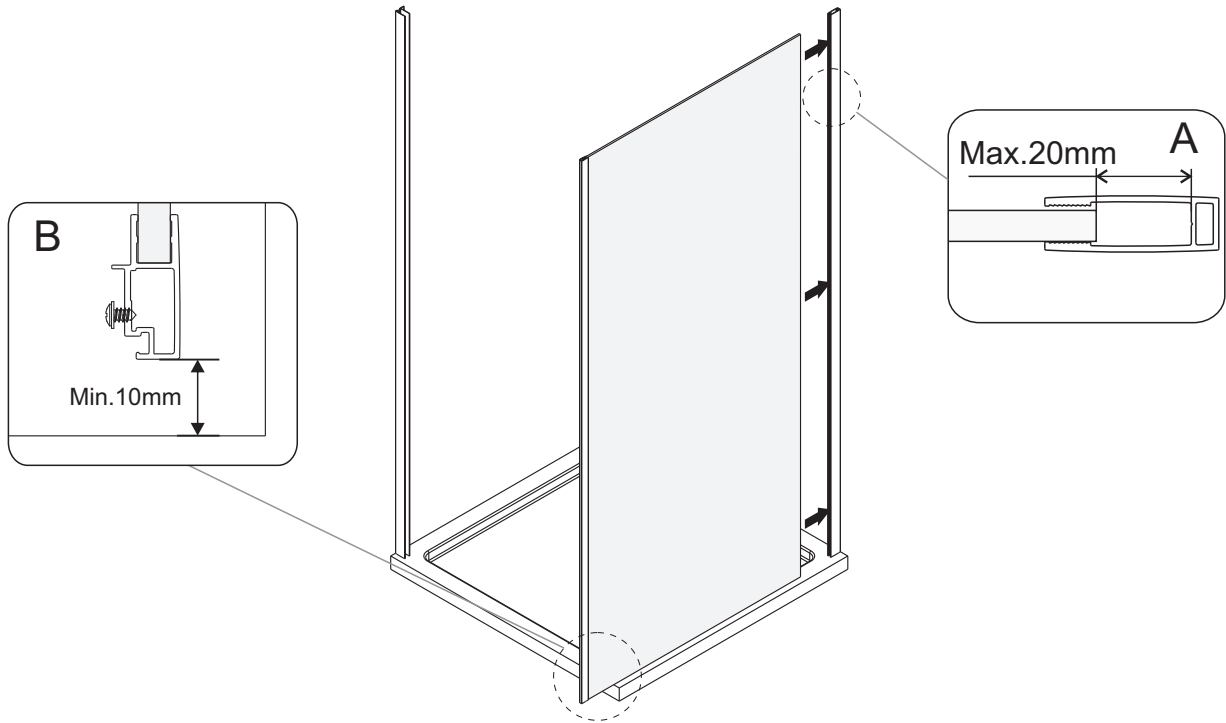


3 A. Mark a line to set the outside position of the wall profile. 10mm from the edge of the tray is recommended and must be within the adjustment Y of the door size shown in the table below.



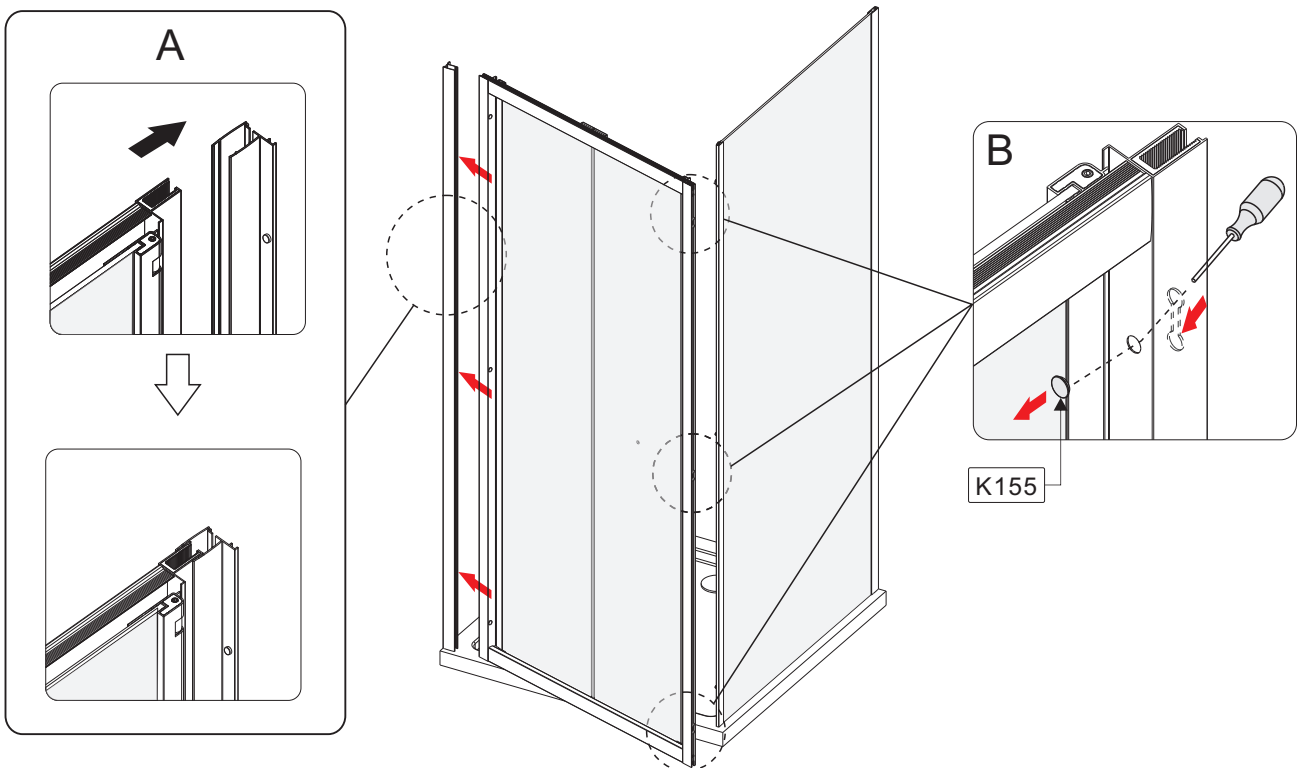
4

- A. Slide the panel into the wall profile. Max adjustment is 20mm.
- B. Make sure the screws on the edge of the frame are facing to the inside.

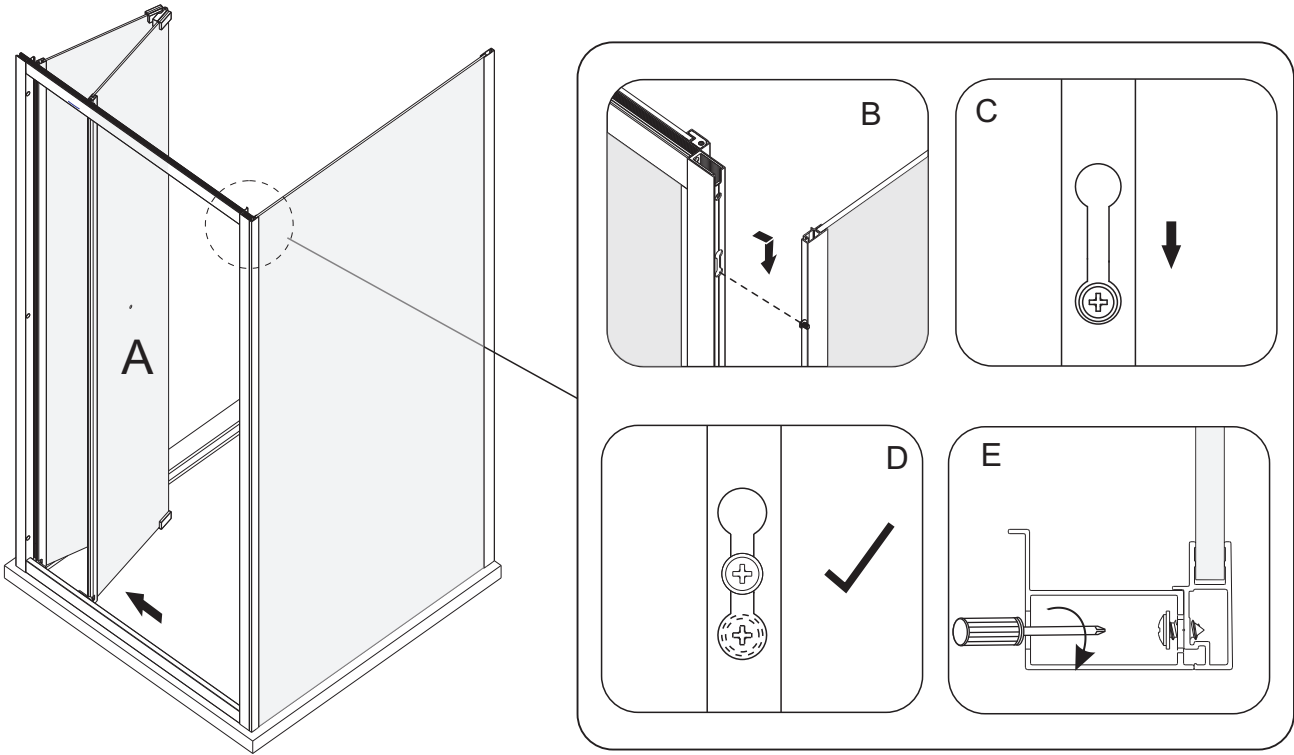


5

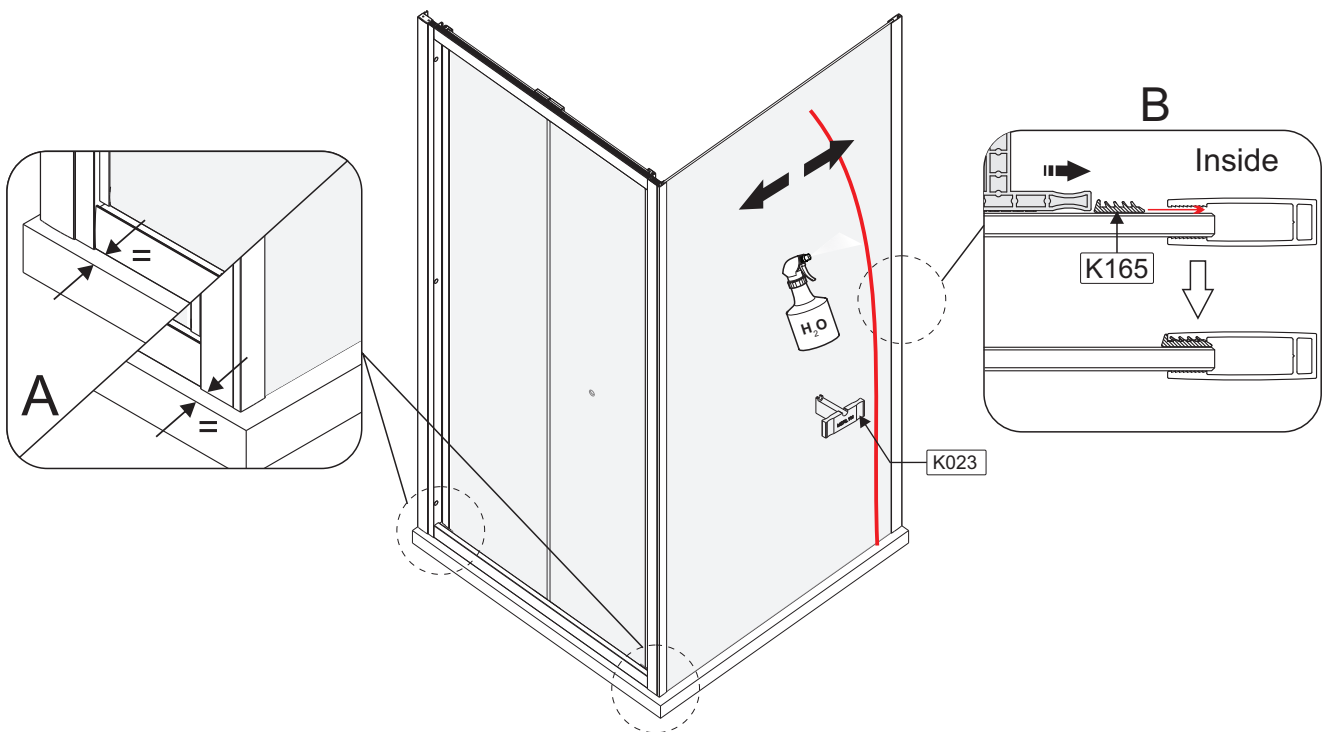
- A. Slide the frame into the wall profile.
- B. Insert a screwdriver through the slot on the outside edge of the profile and remove the three cover caps. Keep these for later use.



- 6
- A. Fully open the door.
 B&C. Lift the door frame until the bottom holes are aligned with the screws in the side panel.
 D&E. Bring the frames together then lower the door frame and tighten the 3 screws through the slot in the side of the frame.

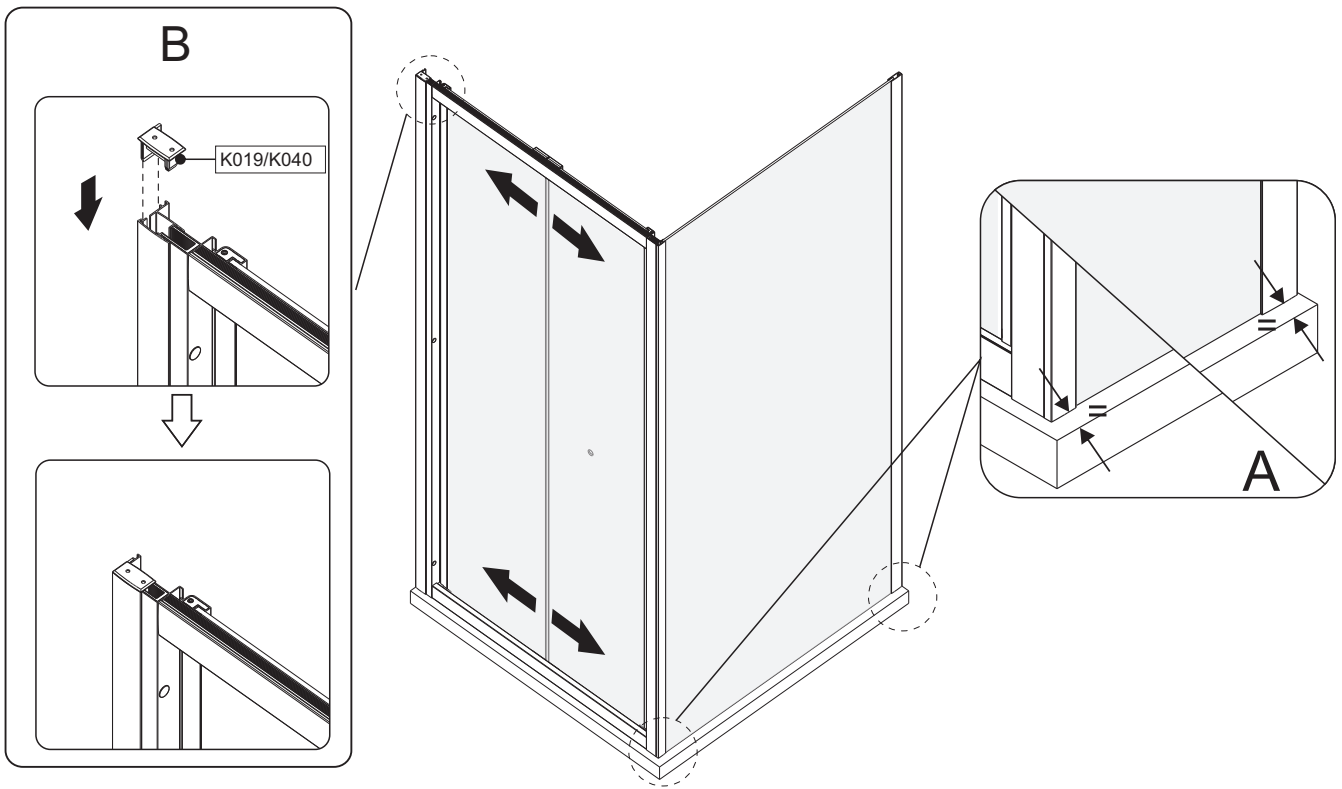


- 7
- A. Adjust the side panel side to side until the frame is parallel to the front of the tray.
 B. Starting at the bottom use the tool provided to insert the wedge gasket between the glass and the profile. Keep the flat side to the glass and the ridged side to the profile.
 Top Tip ! Dampen the seal with water to help slide the seal into place.



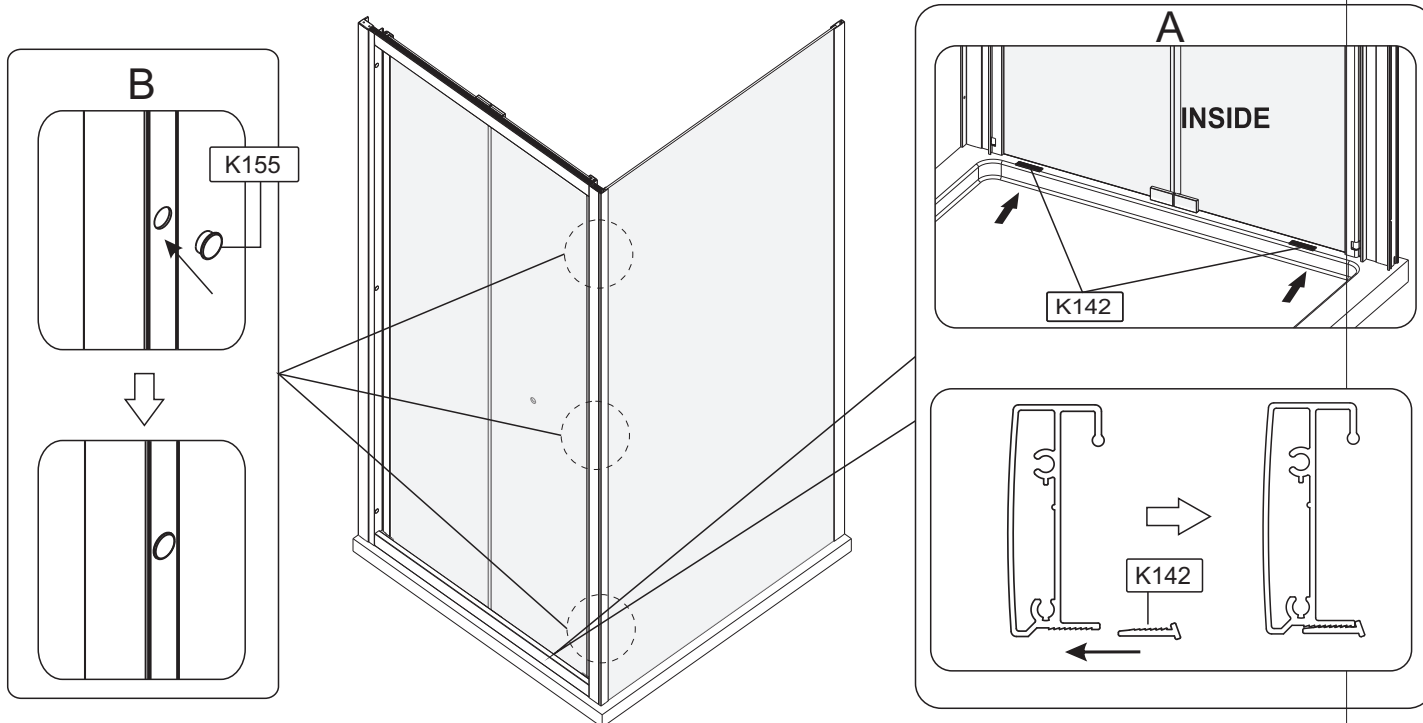
8

- A. Adjust the door frame side to side until the side panel is parallel to the side of the tray and the frame is square and the door is sliding freely.
- B. Slide the locking cap into position.

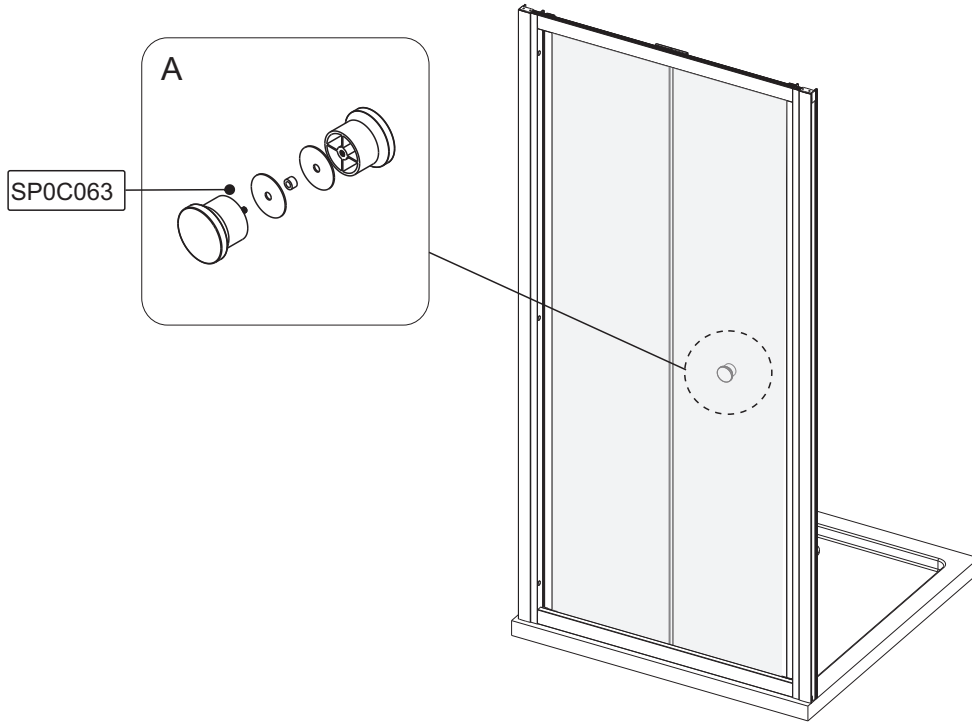


9

- A. Push the wedge seals between the bottom profile and the tray to hold the frame in position.
- B. Fit cover caps.

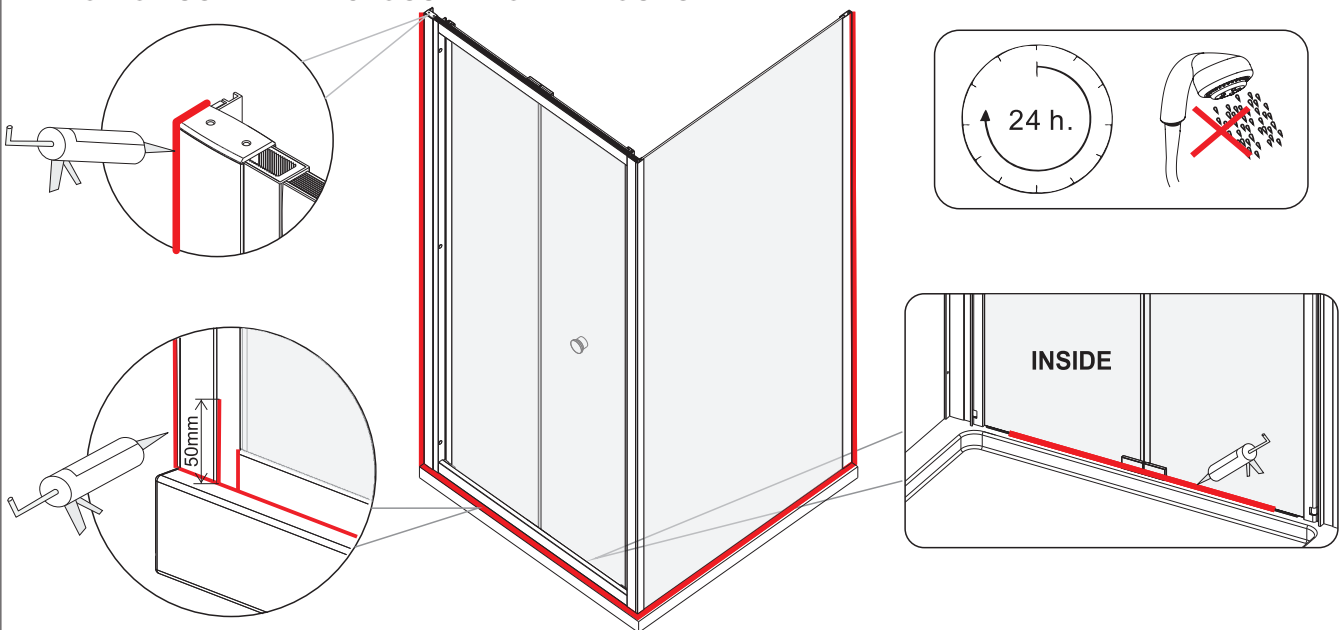



10



11

Before sealing make sure all surfaces are clean, dry and free from any residue such as grout.
 Use a quality silicone sealant and applicator gun to finish the door.
 Seal between the wall and the wall profile.
 Seal between the wall profile and the frame 50mm from the tray.
 Seal across the top of the locking cap between the cap and the wall.
 Seal between the bottom profile and side panel.
 Seal between the bottom profile and the tray/tile fully across the outside and between the wedge seals on the inside.
DO NOT USE THE ENCLOSURE FOR 24 HOURS



| | |
|---|-------|
|  | |
| Merlyn Industries LTD (MER14) | |
| DOP:CEKB1.1 | |
| 19 | |
| EN 14428 | |
| Shower enclosures with aluminium profiles and safety glass | |
| Cleanability | :Pass |
| Impact resistance/ shatter properties | :Pass |
| Durability | :Pass |

To download the Declaration of Performance (DOP) for this product please use the link below.

<https://merlynshowering.com/aftersales-support/dop-certs/>